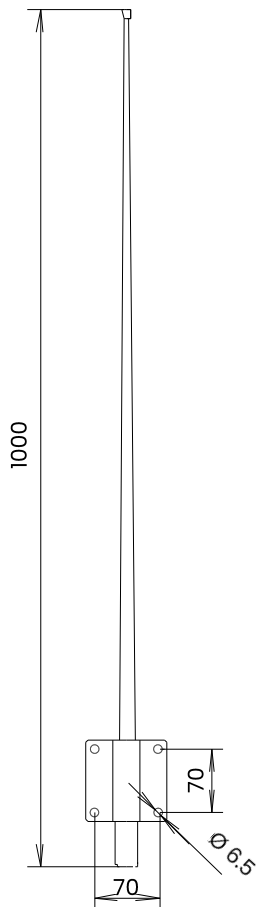


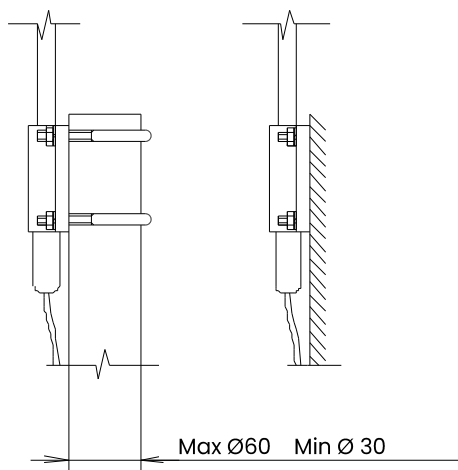
ARIOMA-300KHz/N

HF, one piece whip, monopole, end feed, DGPS, UHF-conn, mast mount, 1 m, 0.28-0.325 MHz

Commercial and Marine Antennas



Connector



Application

ARIOMA-300K is an efficient active fibreglass receiving antenna for frequencies between 0.28 - 0.325 MHz. It is intended for use together with a Differential- GPS receiver. The antenna has good large signal handling characteristics, and is also very sensitive. The power supply is via the coaxial cable from the receiver.

Electrical Specifications

The antenna is protected against static discharges and surges at the power line.

Frequency Range	0.28 - 0.325 MHz
Pattern	Omnidirectional
Polarisation	Vertical
Impedance	50 W
Antenna Factor	0.1 - 1
Supply Voltage	9-15V
Sensitivity	0.025uV/ $\sqrt{\text{Hz}}$ for 0dB S/N at 300 KHz
Connector	N connector

Mechanical Specifications

Design	Fibreglass whip with amplifier in the base
Height	1.0 m
Weight	1 kg, including U-bolts
Number of Sections	1
Wind Rating	55 m/s
Moment of Flexure	2.5 kpm at 55 m/s wind load
Finish	Polyurethane lacquer, white
Temperature Range	- 55°C to + 71°C

Mounting

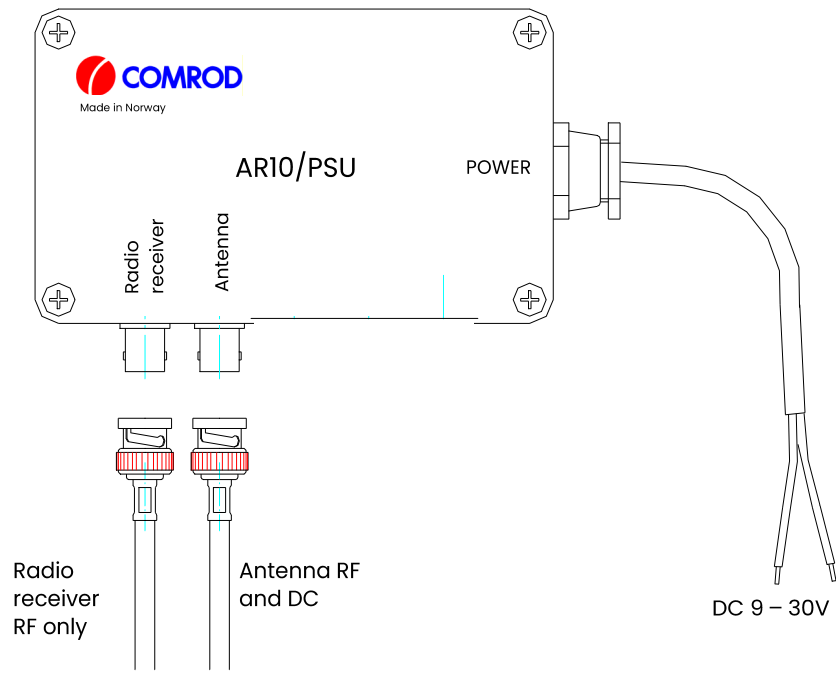
ARIOMA-300K is easily mounted to the bulkhead by means of 4 holes in the aluminium bracket, or to a mast or tube with U-bolts. The U-bolts in stainless steel, are included.

Suitable cable: RG58, RG213 or similar.

Accessories: Power supply unit, see next page.

Accessories:

Power Supply Unit



Electrical Specifications: AR10/PSU

The AR10/PSU is a stabilised power supply unit for power supply via the antenna coaxial cable.

It comes with a AC230/DC12 V adaptor.

Frequency Range	0.2-10 MHz
Impedance	50W
RF Loss	< 0.2 dB
Supply Voltage	In: 9-12 V → Out: Same as input voltage In: 12-30 V → Out: 12 V
Connector	BNC

September 2018

All specifications are subject to change without notice
The information contained herein is for reference only and does not constitute a warranty of performance

Partnered Supplier



sales@eylex.com.au
www.eylex.com.au

