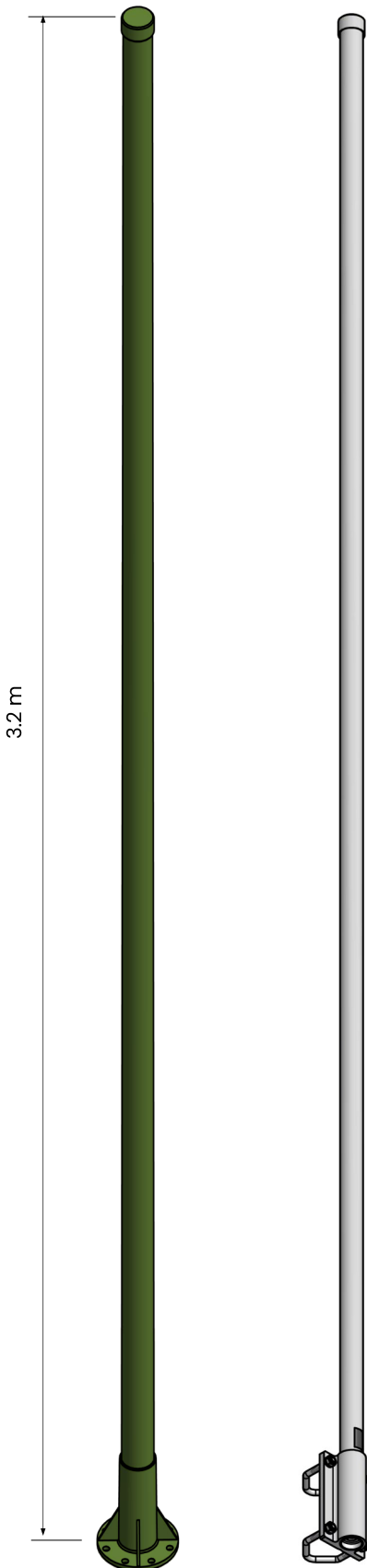


VHF3088VM-PM Series

VHF elevated fixed station antenna, dipole, 3.2 m, 30-88 MHz

Tactical Antennas: Tactical and Base Station



VHF3088VM-PMR VHF3088VM-PMM

Application

The VHF3088VM-PM Series is a VHF permanent mount antenna designed for use in hostile environments. The antenna is a dipole design so does not require a ground plane to operate. Two types of mounting interface are available to match the customer requirement.

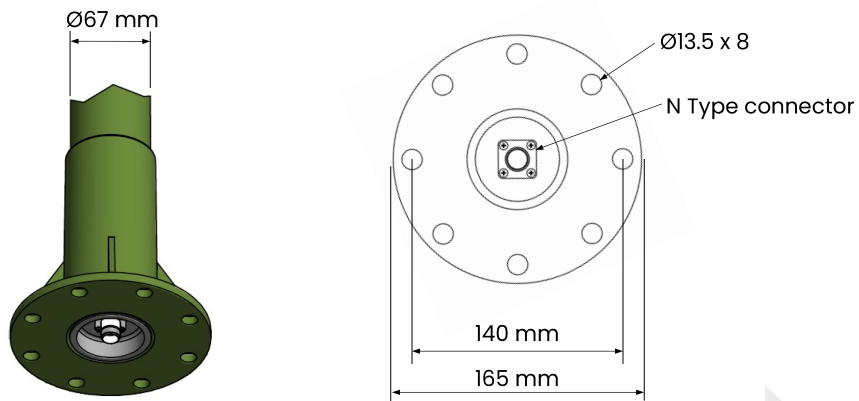
Electrical Specifications

Frequency Range	30-88 MHz
VSWR	See diagram
Nominal Impedance	50 Ω
Power Rating	100 W
Gain	See diagram
Radiation Pattern	Azimuth: Omnidirectional Elevation: See overleaf
Polarisation	Vertical
Connector	N Type Female, others on request

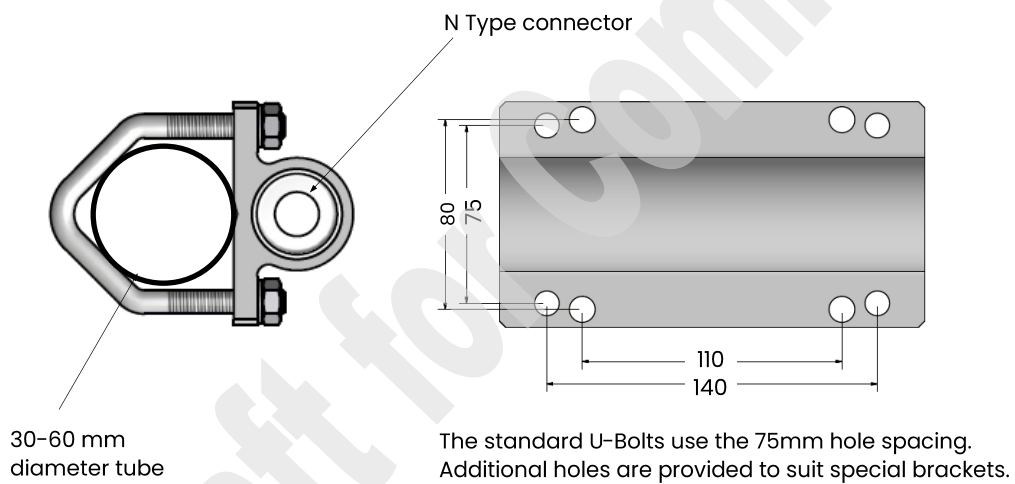
Mechanical Specifications

Design	Centre fed dipole. Radiating elements completely enclosed in epoxy/fibreglass laminate. Metal parts are plated brass and stainless steel.
Length	3.2 m
Diameter (Radome)	VHF3088VM-PMR - 66.5 mm VHF3088VM-PMM - 38 mm
Weight	VHF3088VM-PMR - 11.4 kg VHF3088VM-PMM - 5.5 kg
Wind Rating	55 m/s = 201 km/h
Finish	Polyurethane lacquer
Colour	Customer Specified
Installation	See base detail overleaf
Temperature Range	- 55°C to+ 71°C

Mounting Options

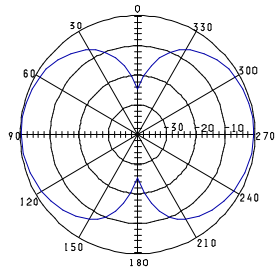


**VHF3088VM-PMR
Rigid Mount**

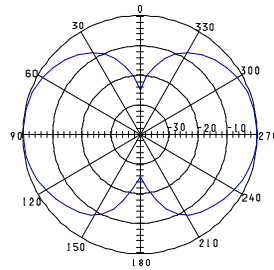


**VHF3088VM-PMM
Mast/Wall Mount**

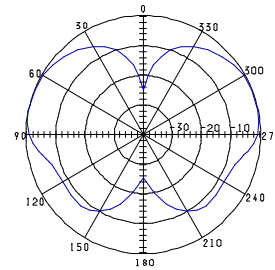
Radiation Diagram, Elevation



30 MHz

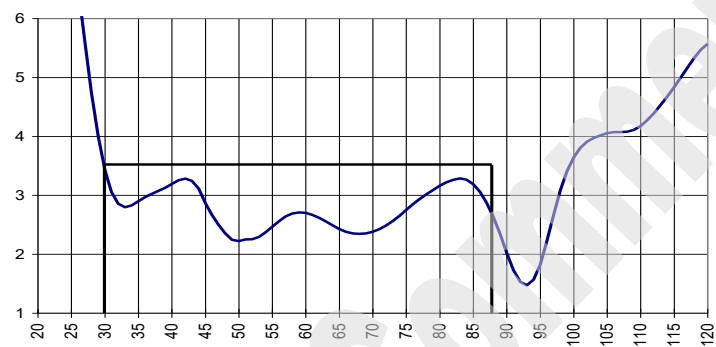


60 MHz

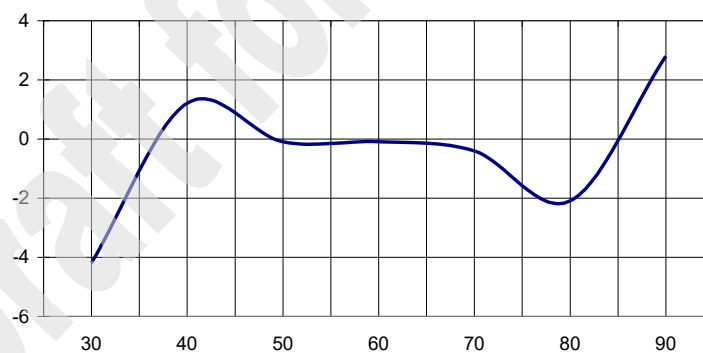


88 MHz

VSWR



GAIN, relative to a $\frac{1}{4} \lambda$ whip on GP



September 2018

All specifications are subject to change without notice
The information contained herein is for reference only and does not constitute a warranty of performance

Partnered Supplier



sales@eylex.com.au
www.eylex.com.au

