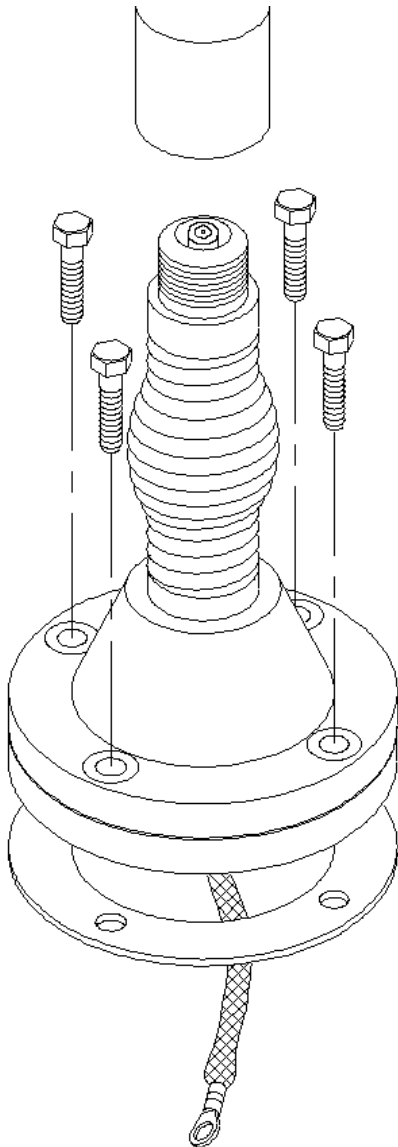


## NTS-WLAN

VHF/UHF/L-Band 4-hole vehicle base with WLAN, 0.24 m,  
2400-2500 MHz

### Tactical Antennas: Vehicle Mount



### Application

The NTS-WLAN is a base with a built in WLAN antenna element. There are two antenna connections available for matching the different antenna interfaces:

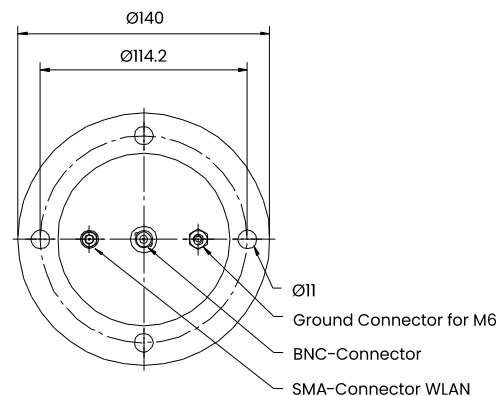
- VM-connection
- CEF-connection

### Specifications

<b>Impedance</b>	50 $\Omega$ for both VM and CEF connection
<b>WiFi Frequency Range</b>	2400-2500 MHz
<b>WiFi Gain</b>	- 1 dBi
<b>WiFi VSWR</b>	< 2.2 50 $\Omega$
<b>Connector VHF</b>	BNC female or other on request
<b>WiFi</b>	SMA female
<b>Temperature Range</b>	- 55°C to + 85°C
<b>Mechanical Design</b>	Spring base made from stainless steel, brass, aluminium and GRP
<b>Height base:</b>	240 mm
<b>Weight:</b>	2.4 kg

### Mounting

Standard 4 hole NATO flange, with conducting gasket or strap for grounding.



## Electrical Specifications for VM Connections

<b>Frequency Range</b>	0 - 450 MHz
<b>Antenna Connection</b>	VM connection
<b>Nominal Impedance</b>	50 $\Omega$
<b>Power Rating</b>	400 W CW



Picture of VM connection at the top of the base

## Electrical Specifications for CEF Connections

<b>Frequency Range</b>	0 - 2 GHz
<b>Antenna Connection</b>	CEF connection
<b>Nominal Impedance</b>	50 $\Omega$
<b>Power Rating</b>	400 W CW



Picture of CEF connection at the top of the base

September 2018

All specifications are subject to change without notice  
The information contained herein is for reference only and does not constitute a warranty of performance

Partnered Supplier



[sales@eylex.com.au](mailto:sales@eylex.com.au)  
[www.eylex.com.au](http://www.eylex.com.au)

