

NTS 50mm/GPS L1/L2

VHF/UHF 50mm vehicle base with L1/L2 GPS, 0.24 m,
1227 ± 10 MHz/1575.42 ± 10 MHz

Tactical Antennas: Vehicle Mount



Shown with UHF225450VM/HG Antenna

Application

The NTS 50mm/GPS is a base for the Comrod centre fed antennas, but with a built-in Mil-Spec GPS L1/L2 active receiving antenna. Instead of using separate GPS and VHF/UHF communication antennas, the NTS 50mm/GPS will give you both with one base, simplifying installation and consequently reducing costs. The GPS antenna will not be affected by the use of full transmitting power on VHF/UHF.

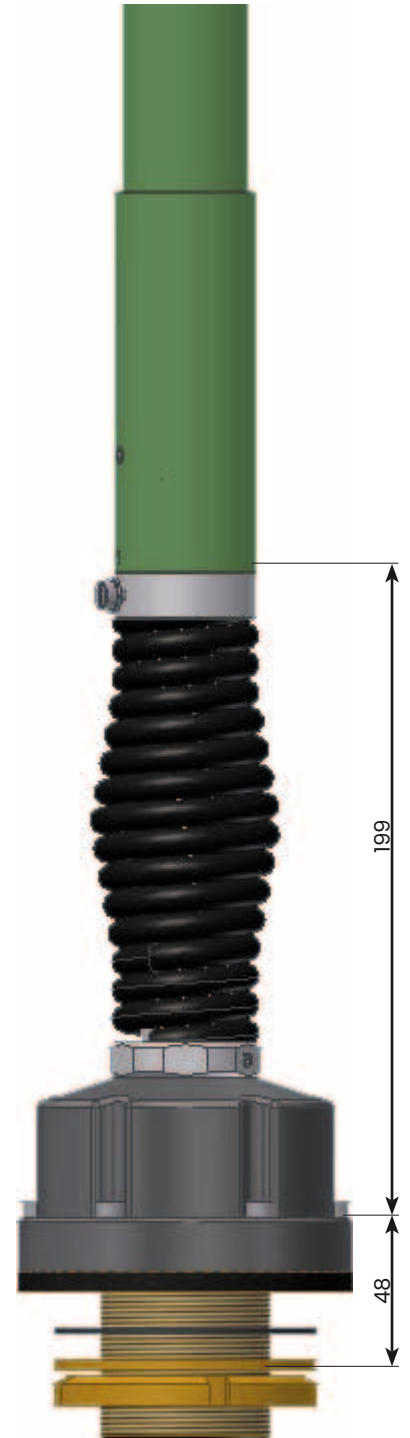
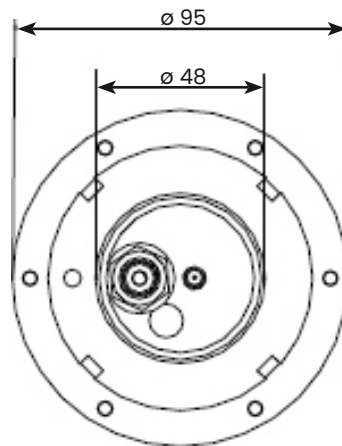
The base is interchangeable with the standard NTS base from the Comrod series of centre fed VHF/UHF antennas.

Specifications

Compatible With	Standard NTS base
GPS Frequency Range	L1, 1575.42 ± 10 MHz L2, 1227.00 ± 10 MHz
GPS Preamplifier Gain	26.5 dB
GPS Noise Frequency	2.5 dB
GPS Supply Voltage	2.7 - 5.5 V
GPS Supply Current	< 60 mA
Connector	VHF BNC female, others on request GPS SMA female
Temperature Range	- 55°C to + 71°C
Mechanical Design	Spring base made from Stainless Steel, Brass, Aluminium and GRP
Height Base	240 mm
Weight	2.5 kg

Mounting

ø 50 mm hole, with gasket and strap for grounding.



September 2018

All specifications are subject to change without notice

The information contained herein is for reference only and does not constitute a warranty of performance

Partnered Supplier



sales@eylex.com.au
www.eylex.com.au