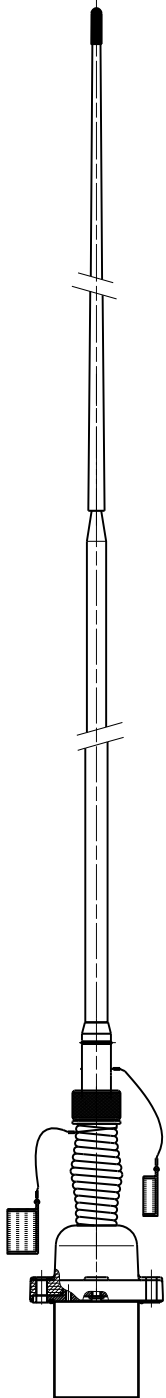


## LB3088SF-2.4

VHF/WLAN vehicle whip, dipole/dipole, 3.5 m,  
30-88 MHz, 2400-2500 MHz

### Tactical Antennas: Vehicle Mount



### General Description and Application

VHF/UHF Dual Band Centre-Fed antenna particularly designed for vehicles without ground plane:

- works in E/R without tuning in the whole band 30-88 MHz and 2.4-2.5 GHz
- protected against EMP threat and compatible with all VHF hopping combat radios

### Electrical Specifications

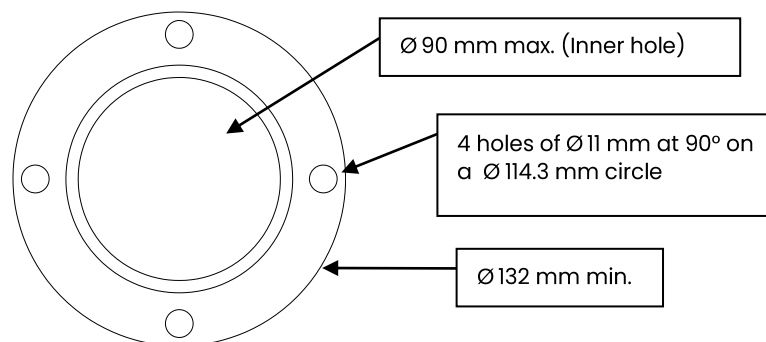
Description	VHF	UHF
Frequency	30-88 MHz	2400-2500 MHz
Polarisation	Vertical	Vertical
VSWR	$\leq 3.5:1$	$\leq 2:1$
Impedance	50 $\Omega$	50 $\Omega$
Power	70 W	500 mW
Gain	$\geq -8$ to $-4$ dBd	$\geq -2$ dBd
High Voltage Protection	1500 Vrms (MIL-STD-202, Method 301)	
Isolation Between Ports	$\geq 30$ dB (both bands)	

### Mechanical Specifications

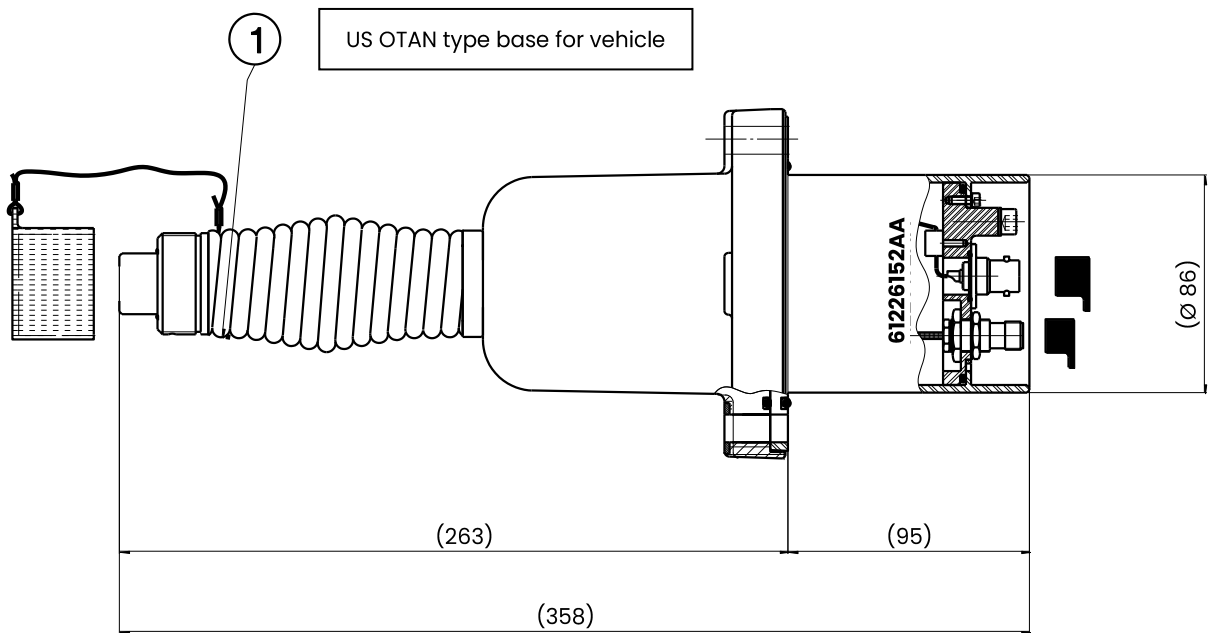
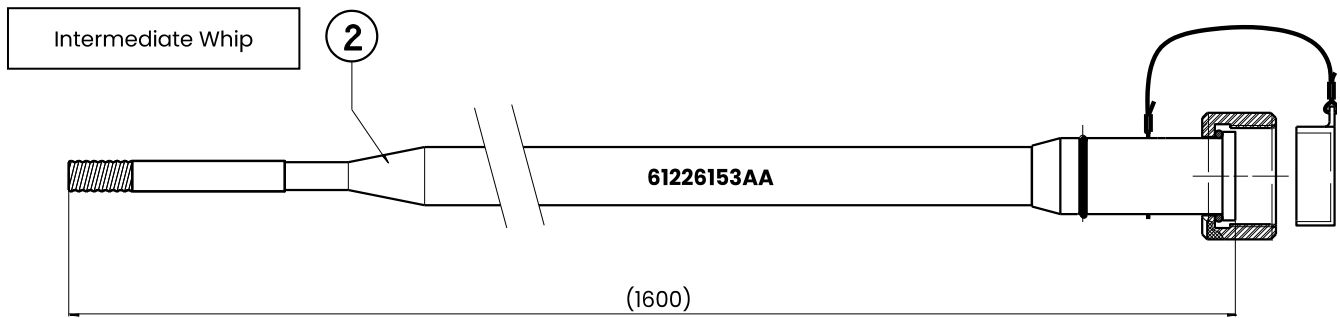
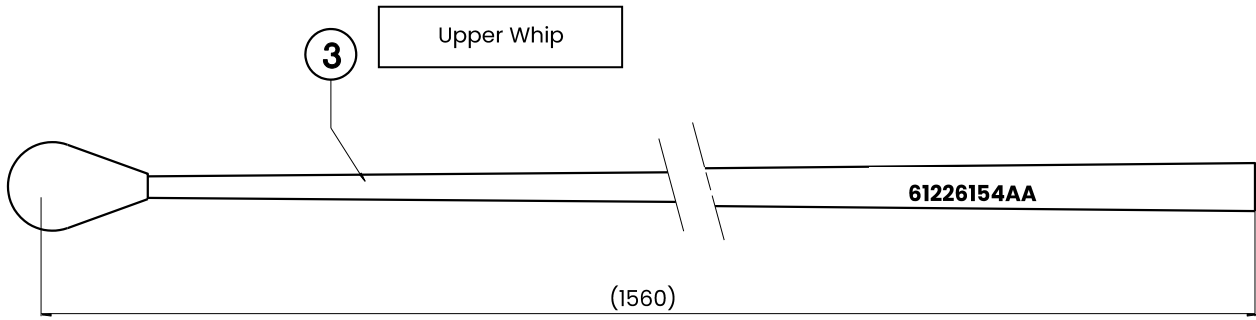
Description	VHF
Length (Overall)	3550 mm
Length (Below Mounting Flange)	100 mm
Weight	5 kg
Whip Length (Longest)	1600 mm

Test	Severity	MIL-STD-810E, Method (M) and Procedure (P)
<b>Environmental Characteristics</b>		
Minimal temperature for operation	- 40°C during 16 hours	M502.3, P II
Minimal temperature for storage	- 40°C during 72 hours	M502.3, P I
High dry temperature for operation	+ 55°C during 16 hours	M501.3, P II
High dry temperature for storage	+ 71°C during 96 hours	M501.3, P I
High wet temperature for operation	+ 41°C at 95% HR (1 cycle 16 hours)	M507.3, P II
High wet temperature for storage	+ 41°C at 95% HR (10 cycles 16 hours)	M507.3, P II
Salt fog	48 hours at 35°C	M509.3, P I
Altitude (operation)	- 40°C, 10,000 feet, 6 hours	M500.3, P II
Air transport	- 40°C, 190 hPa, 2 hours	M500.3, P I
Solar radiation	168 hours at Xenotest	M505.3, P II
Rainfall	500 ± 100 mm/h, 30 mn	M506.3, P III
Immersion	Depth 1 m, 2 hours	M512.3, P I
Sand and dust	Wind speed 17.8 m/s, Dust 10.6 g/m <sup>3</sup> , Sand 1.1 g/m <sup>3</sup>	M510.3, P I and II
Ice, condensation, unfreezing	0.5 inches radial ice	M521.1, P I
<b>Mechanical Characteristics</b>		
Vibrations	3 h/axis	M514.4
Mechanical chocks	3 shocks in both directions, 30 g/11 ms	M516.4, P I
Impact	25 repeated blows at 40 km/h at half height	

## Vehicle Installation



## Total Units



---

All specifications are subject to change without notice  
The information contained herein is for reference only and does not constitute a warranty of performance

Partnered Supplier



[sales@eylex.com.au](mailto:sales@eylex.com.au)  
[www.eylex.com.au](http://www.eylex.com.au)

