

AV30

VHF/UHF log periodic antenna, dipole, 1.7 m, 220–405 MHz

Tactical Antennas: Tactical and Base Station



NSN: 5985-25-117-8700

Application

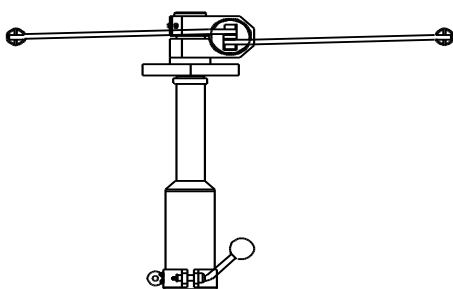
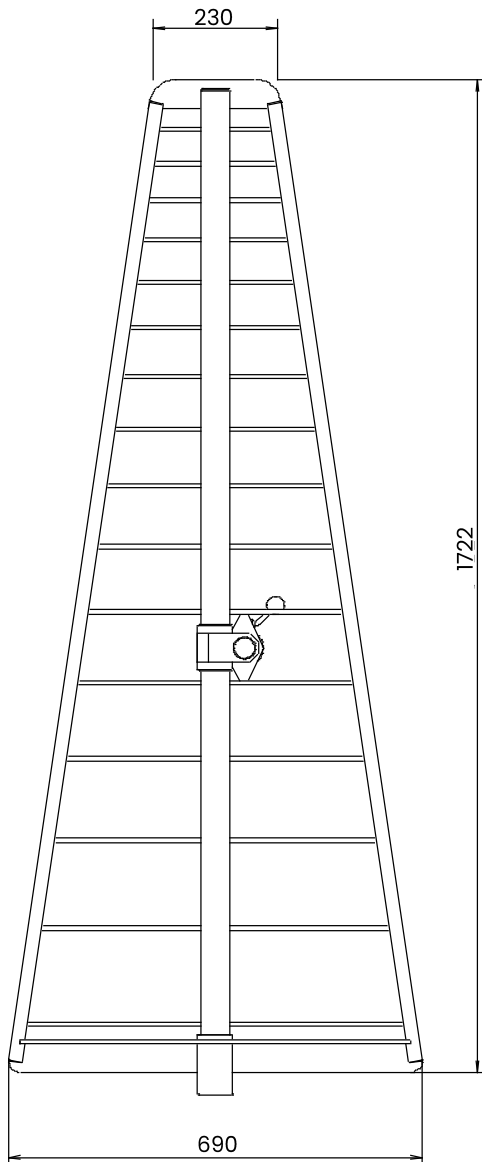
AV30 is mainly designed for mobile military radio link applications. The antenna is of very rugged construction with feeder and connector carefully protected. This makes it well suited for field use.

Electrical Specifications

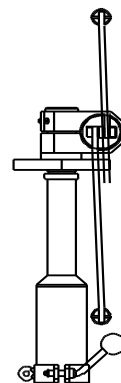
Frequency Range	220 - 405 MHz
VSWR	< 1:2.0
Nominal Impedance	50 Ω
Power Rating	200 W CW
Gain	> 6db, ref. dipole
Front/Back Ratio	> 20 db
Polarisation	Adjustable linear
Connector	to be specified

Mechanical Specifications

Design	Radiating elements and feeder in brass. Feeder are enclosed in epoxy/fibreglass laminate and filled with P.U. foam. The elements are protected with a fibreglass frame.
Weight	6.5 kg
Wind Loading, 30 m/s	Horizontal: 5 kg Vertical: 9 kg
Finish	Polyurethane lacquer, olive drab
Temperature Range	- 55°C to + 55°C



Horizontal Polarisation



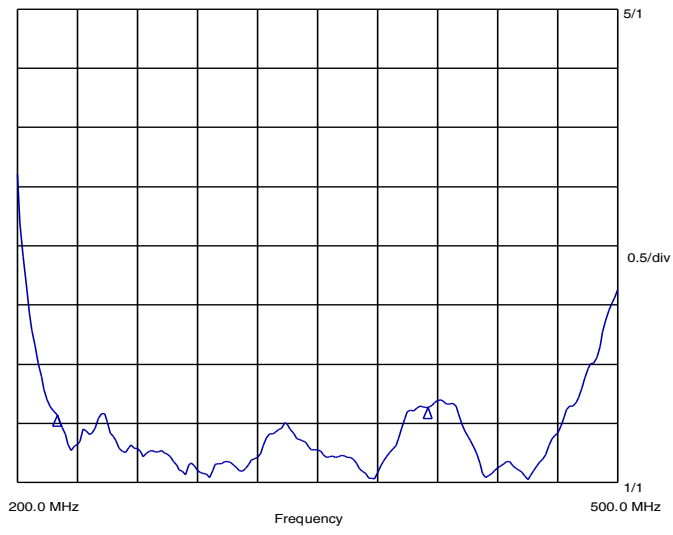
Vertical Polarisation

Mounting

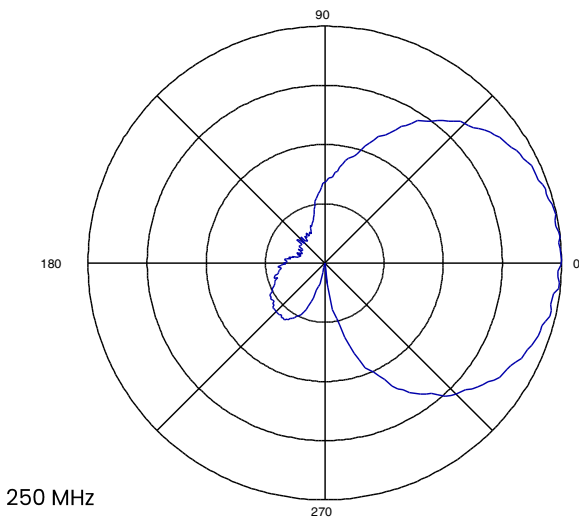
On mast top, diameter 50 mm or customer specified.

Standing Wave Ratio

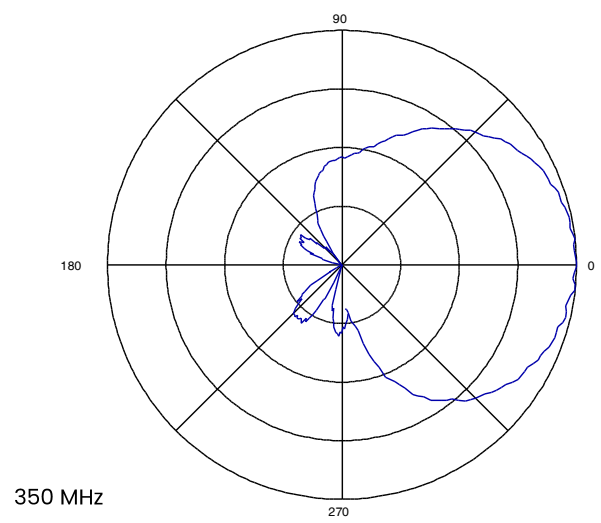
Markers at 220 and 405 MHz



E - plane

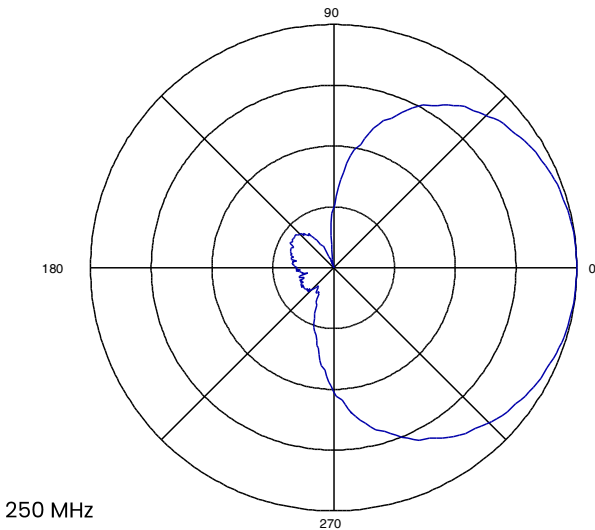


250 MHz

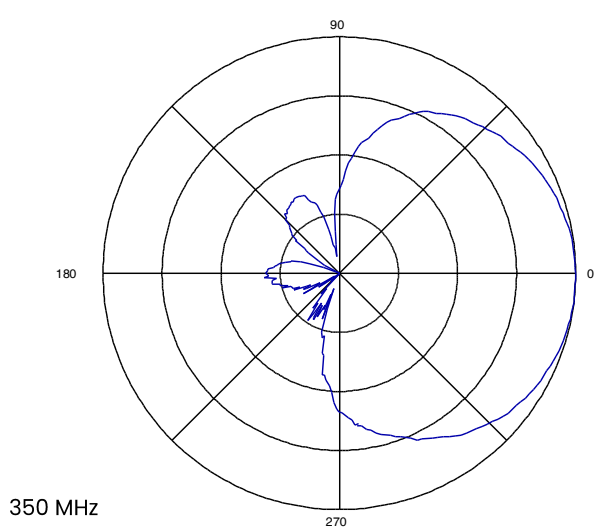


350 MHz

H - plane



250 MHz



350 MHz

September 2018

All specifications are subject to change without notice
The information contained herein is for reference only and does not constitute a warranty of performance

Partnered Supplier



sales@eylex.com.au
www.eylex.com.au

