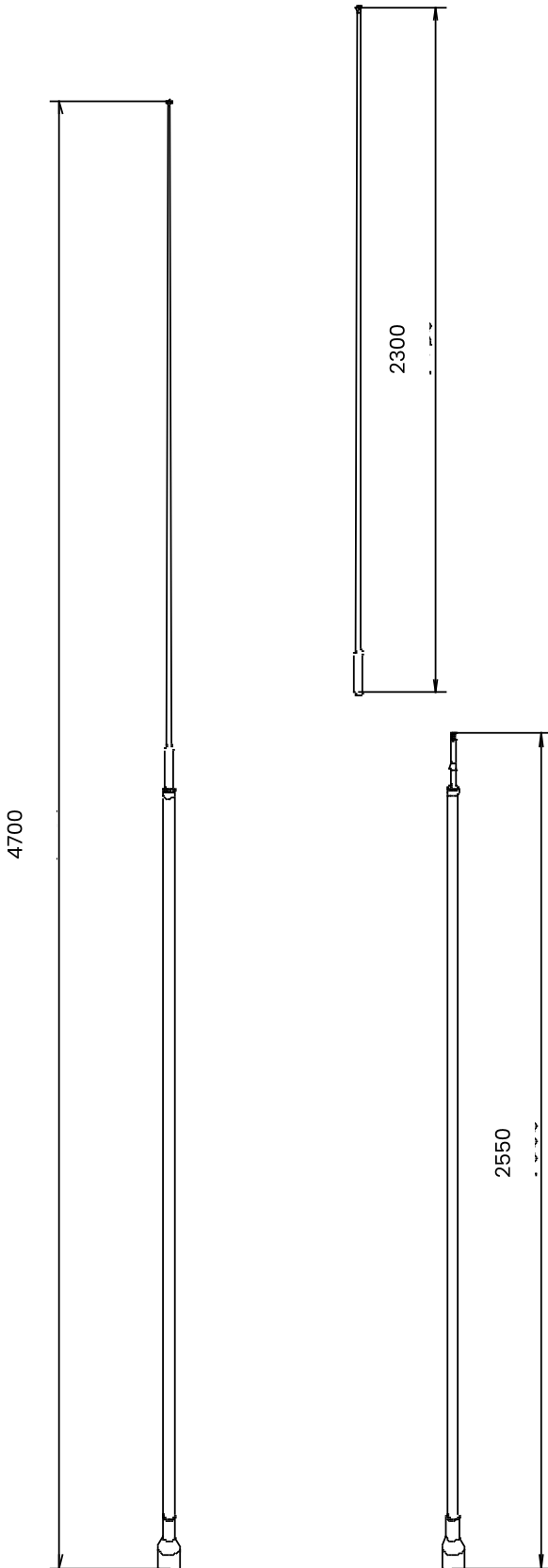


VHF2060VM

HF/VHF sectional vehicle whip, dipole, 4.7 m, 20–60 MHz

Tactical Antennas: Vehicle Mount



Application

- 20 – 60 MHz
- Designed for operation on all kinds of vehicles including Jeeps, Trucks and other armoured vehicles
- Suitable for operation on shelters and to be mounted on masts or in other permanent installations
- Different kinds of bases available, with or without spring for flexible or rigid installations
- No ground plane needed
- No tuning electronics in the base
- No tuning required

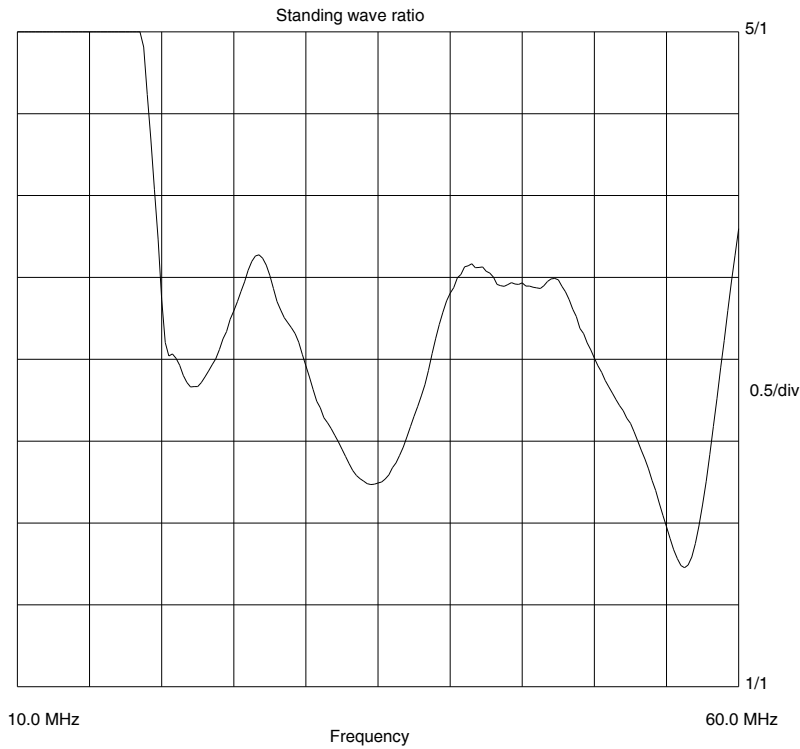
Electrical Specifications

Frequency Range	20 – 60 MHz
VSWR	see diagram, overleaf
Nominal Impedance	50 Ω
Power Rating	100 W CW
Gain	-8 to +2dB, relative $\frac{1}{4}$ λ whip on GP
Radiation Pattern	Azimuth: Omnidirectional Elevation: See overleaf
Polarisation	Vertical
Connector	to be specified

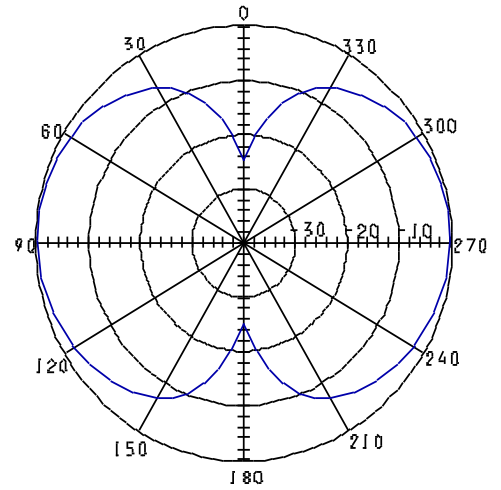
Mechanical Specifications

Design	Centre fed dipole. Radiating elements completely enclosed in epoxy/fibreglass laminate. Metal parts are brass and stainless steel.
Length, Mounted	4.7 m, 4.9 m with base l
Weight	2 kg, excluding base
Wind Rating	55 m/s = 201 km/h
Finish	Polyurethane lacquer, olive drab
Temperature Range	- 55°C to + 71°C

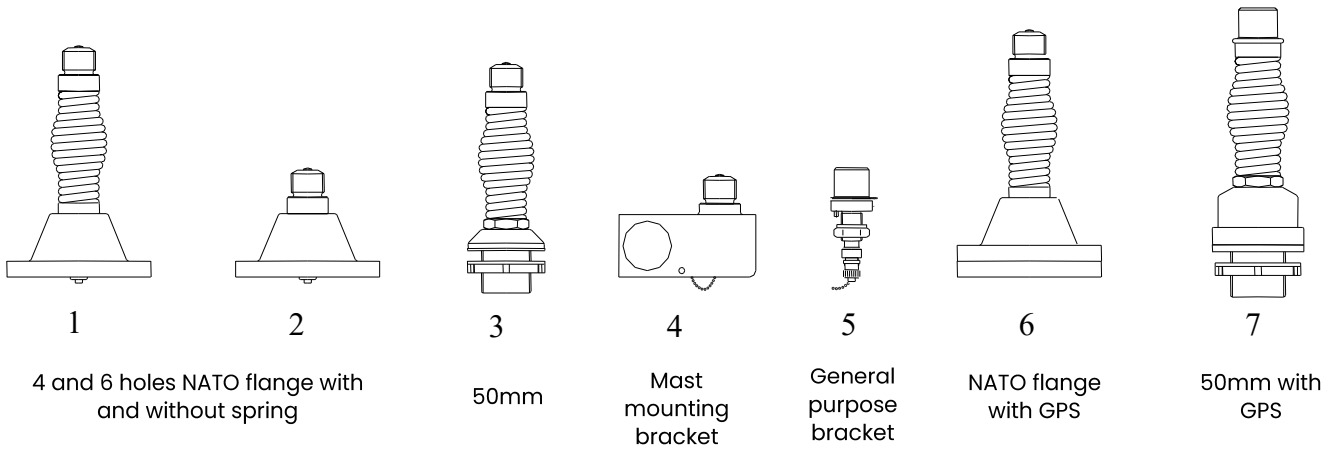
VSWR



Radiation Diagram, Elevation



Optional Bases



Mounting

The Mounting hardware makes VHF2060VM an extremely flexible and versatile system. The same antenna elements can be used for vehicles and mast mounting and for permanent installations. The antenna may easily be switched from one application to another without the use of tools.

September 2018

All specifications are subject to change without notice
The information contained herein is for reference only and does not constitute a warranty of performance

Partnered Supplier



sales@eylex.com.au
www.eylex.com.au

