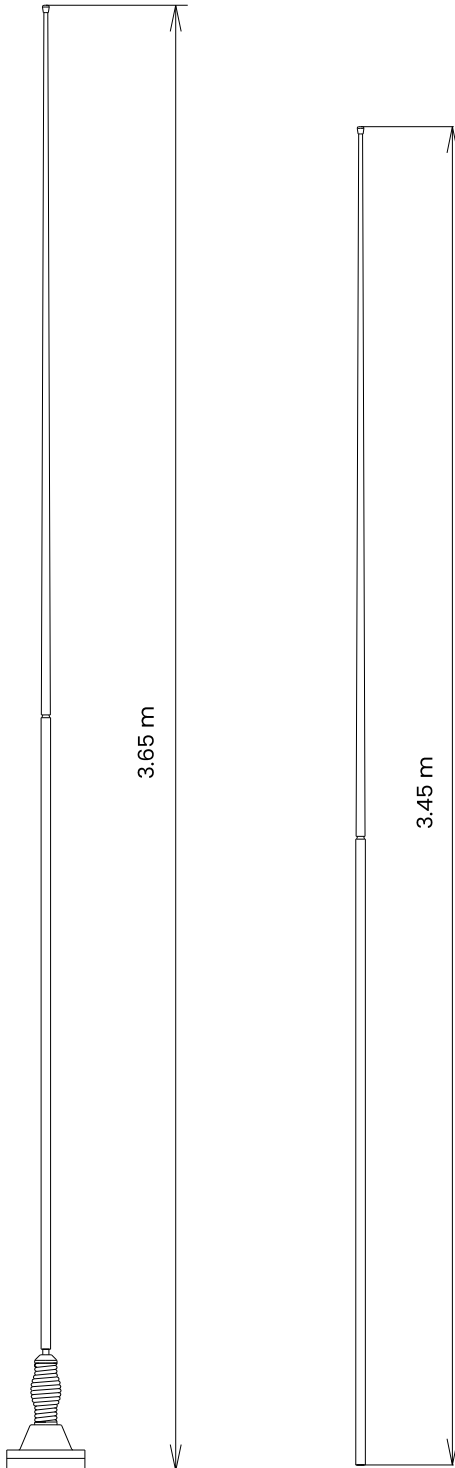


VHF20110EF

HF/VHF sectional vehicle whip, monopole, 3.65 m, 20-110 MHz

Tactical Antennas: Vehicle Mount



Application

The VHF20110EF is a VHF vehicle antenna designed for use on all modern in-service military platforms, including armoured or soft skin, metal chassis or composite, wheeled or tracked. The antenna is monopole design so will require a suitable ground plane.

Bases are available with optional L1 and L1/L2 GPS.

Electrical Specifications

Frequency Range	20 - 110 MHz
VSWR	3.5:1
Nominal Impedance	50 Ω
Power Rating	100 W CW
Gain	-6...+2 dBi
Radiation Pattern	Azimuth: Omnidirectional
Polarisation	Vertical
Connector	VHF: BNC GPS: SMA female (GPS Option)

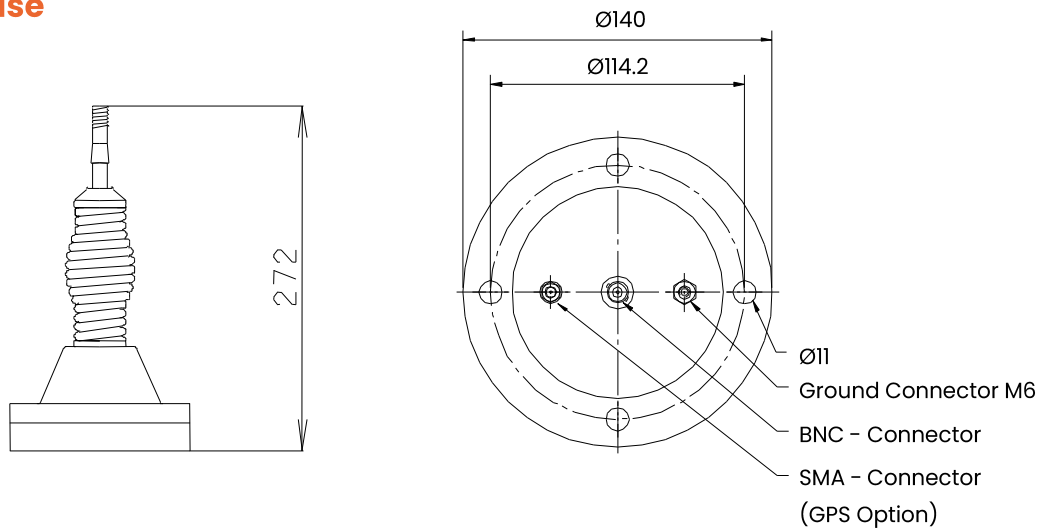
Mechanical Specifications

Design	End fed whip. Radiating elements completely enclosed in epoxy/fibreglass laminate. Metal parts are brass and stainless steel.
Length, Mounted	3.65 m
Weight	4.0 kg
Wind Rating	55 m/s = 201 km/h
Finish	Polyurethane lacquer, olive drab
Temperature Range	- 55°C to + 55°C

GPS Electrical Specifications (Optional)

Configuration	L1 GPS	L1/L2 GPS
Frequency Band	1575.42 ± 10 MHz	L1 1575.42 ± 10 MHz L2 1227.60 ± 10 MHz
Supply Voltage	2.7-5.5 V	2.7-5.5 V
Pre-amplifier	26.5 dB @ 5 V	26.5 dB @ 5 V
Noise Figure	2.5 dB	2.5 dB
Supply Current	< 40 mA	< 60 mA
Polarisation	RHCP	RHCP
Connector	SMA female	SMA female

Base



September 2018

All specifications are subject to change without notice
The information contained herein is for reference only and does not constitute a warranty of performance

Partnered Supplier



sales@eylex.com.au
www.eylex.com.au

