

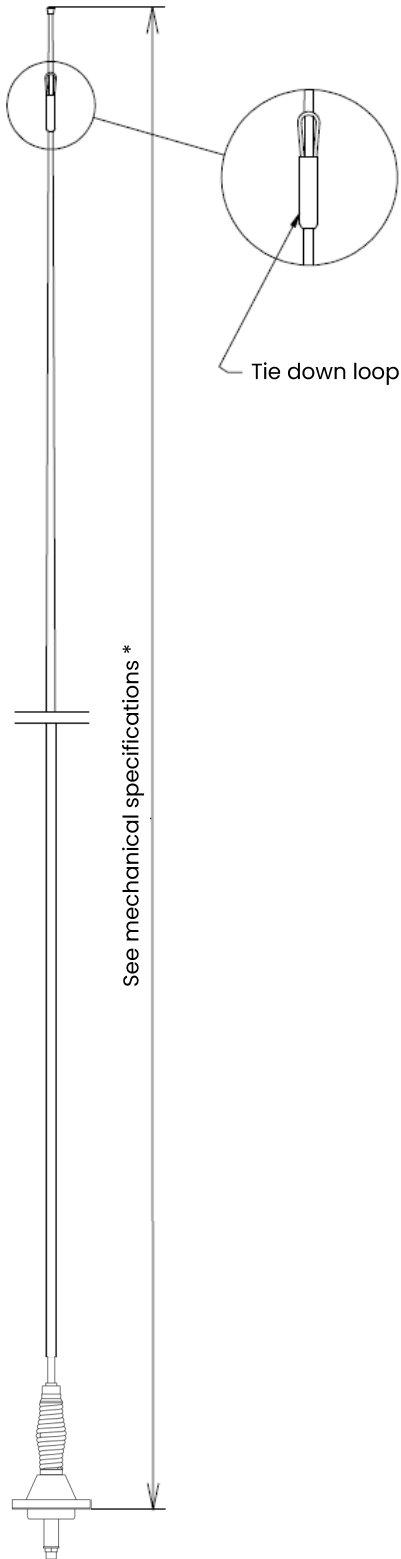
HF1630

HF vehicle whip, monopole, 4.1 m and 5.1 m, 1.6–30 MHz

Tactical Antennas: Vehicle Mount



NSN: 5985-25-144-8681



Application

The HF1630m is designed for land mobile services in the HF-band 1.6–30 MHz. It consists of a fibreglass whip and a base. The whip is intended to be fixed in a deflected position when the vehicle is moving. The whip is easily removed by hand, and a wire antenna can be attached to the base. A tie down loop eases fixing a rope when the antenna is deflected. An optional rigid tilt base is also available to lower the antenna.

Electrical Specifications

Frequency Range	1.6–30 MHz
Impedance	Depending on mounting, example overleaf
Power Rating	400 W CW
Radiation Pattern	Omnidirectional
Electrical Length	HF1630/5 = 5 m HF1630/4 = 4 m
Polarisation	Vertical
High Voltage Protection	16 KV @ 50 Hz

Mechanical Specifications

Design	End fed whip. Radiating element completely enclosed in epoxy/fibreglass laminate. Metal parts are brass or stainless steel.
Length, Mounted*	HF1630/5 = 5 m HF1630/4 = 4 m
Weight	5 m = 4.3 kg 4 m = 4 kg
Wind Rating	55 m/s = 201 km/h
Finish	Polyurethane lacquer, olive drab
Temperature Range	- 55°C to + 71°C

Mounting

The standard base and optional tilt base both use the NATO standard 4 hole pattern. See details on page 2.

Standard 4 hole spring base shown
Optional tilt base available

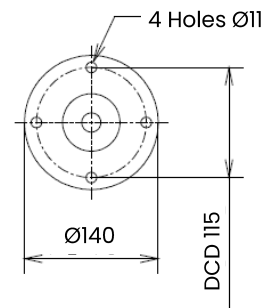
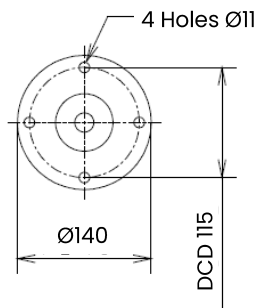
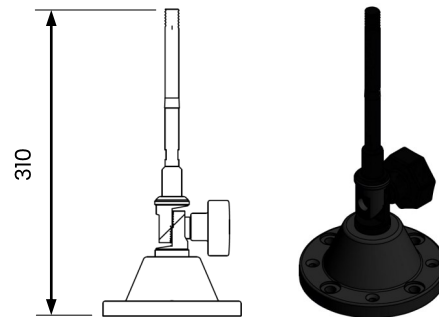
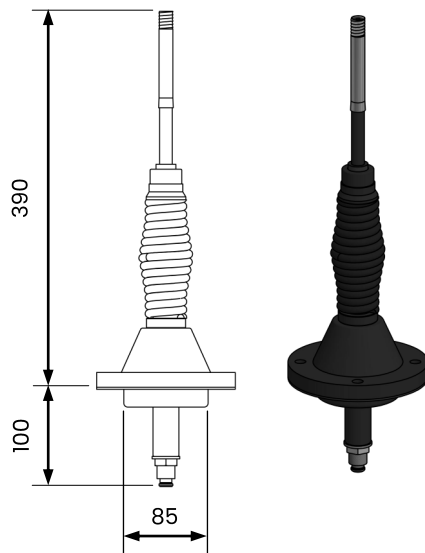
Impedance

Frequency (MHz)	Impedance HF1630/5m *
2.0	5.3-j1427
4.0	6.2-j763
6.0	7.8-505
8.0	10-j348
10.0	14-j236
12.0	20-j143
14.0	28-j60
16.0	41+j22
18.0	60+j110
20.0	92+j214
22.0	144-j333
26.0	478-j686
30.0	1829-j137

* Calculated for a ground resistance of 5W

Standard 4-hole NATO Spring Base

Optional 4-hole NATO Rigid Tilt Base



July 2019

All specifications are subject to change without notice
The information contained herein is for reference only and does not constitute a warranty of performance

Partnered Supplier



sales@eylex.com.au
www.eylex.com.au

