

## APX41-LP

HF/VHF sectional vehicle whip, low profile, monopole, 4.2 m, 1.5–60 MHz

### Tactical Antennas: Vehicle Mount

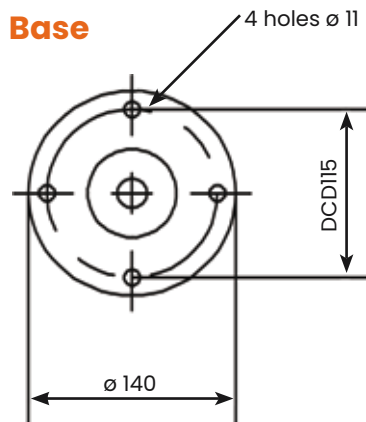


### Application

The APX41-LP is constructed for land mobile services in the HF/VHF Band 1.5 to 60 MHz. It consists of three whip sections and a base. The base is equipped with a heavy duty spring coil to absorb shocks and to allow for a semi-permanent deflection of the antenna when moving the vehicle. To give better performance on lower frequencies, it is possible to add up to three more sections. On higher VHF frequencies one section can be removed to give a better radiation pattern.

### Electrical Specifications

<b>Frequency Range</b>	1.5 - 60 MHz
<b>Impedance</b>	Depending on mounting
<b>Power Rating</b>	100 W CW
<b>Radiation Diagram</b>	Omnidirectional
<b>Electrical Length</b>	4.2 m, dependent on number of sections used
<b>Polarisation</b>	Vertical



### Mounting

The base fits into a standard NATO four bolt bracket type.

### Mechanical Specifications

<b>Design</b>	End fed whip. Radiating elements completely enclosed in epoxy fibreglass laminate. Metal parts are brass and stainless steel.
<b>Length, Mounted</b>	4.2 m, with three sections
<b>Weight</b>	4.5 kg
<b>Wind Rating</b>	55 m/s = 201 km/h
<b>Finish</b>	Polyurethane lacquer, olive drab
<b>Temperature Range</b>	- 55°C to + 71°C



## Impedance

Including ground resistance, on the edge of a 3 x 3 metre ground plane.

Frequency (MHz)	Resistance	Impedance
1.000	198	-2708
1.600	196	-1699
3.100	19	-828
5.200	27	-443
7.300	78	-293
9.400	17	-230
11.500	14	-160
13.600	14	-90
15.699	22	-27
17.799	38	52
19.899	75	142
22.000	179	287
24.100	638	381
26.200	715	-345
28.299	311	-427
30.399	166	-336
32.500	79	-266
34.599	44	-195
36.700	38	-145
38.799	29	-110
40.900	25	-75
43.000	24	-42
45.099	27	-6
47.200	33	33
49.299	50	80
51.400	90	141
53.500	192	208
55.599	421	167
57.700	457	-173
61.000	131	-220

September 2018

All specifications are subject to change without notice  
The information contained herein is for reference only and does not constitute a warranty of performance

Partnered Supplier



[sales@eylex.com.au](mailto:sales@eylex.com.au)  
[www.eylex.com.au](http://www.eylex.com.au)

