

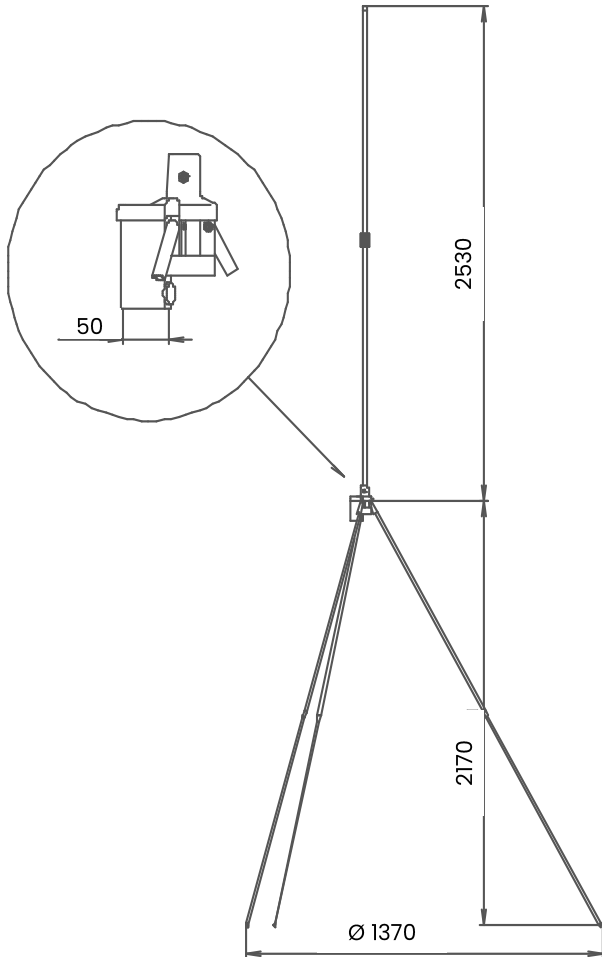
VHF3076

VHF elevated sectional whip, monopole/groundplane, 4.7 m, 30-88 MHz

Tactical Antennas: Tactical and Base Station



NSN: 5985-25-131-2780

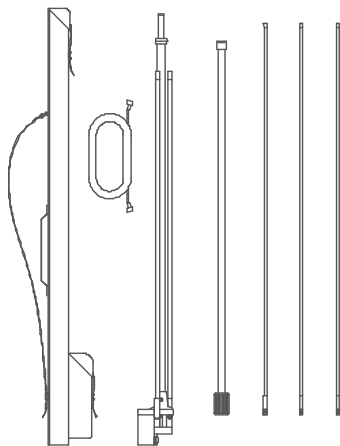


Features

- 30 - 88 MHz
- For tactical use
- Radials divided and hinged for easy mounting
- Packed in carrying bag
- Transport length 1.3 m
- Low weight
- Easy to use

Electrical Specifications

Frequency Range	30 - 88 MHz
VSWR	< 3:1, see diagram, overleaf
Nominal Impedance	50 Ω
Power Rating	100 W CW
Gain	see diagram, overleaf
Radiation Pattern	Azimuth: Omnidirectional Elevation: See overleaf
Polarisation	Vertical
Connector	BNC or custom specified

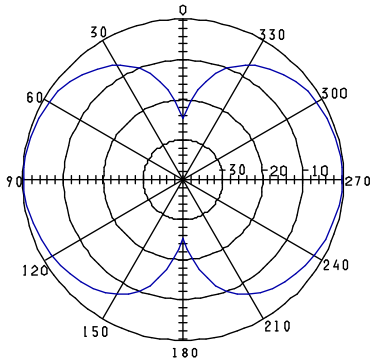


Complete Antenna

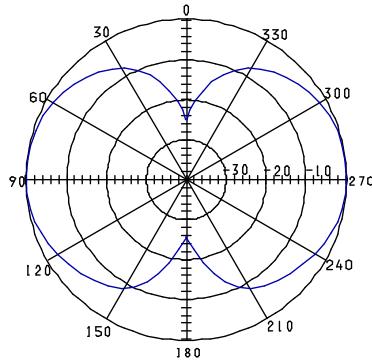
Mechanical Specifications

Design	Radiating elements completely enclosed in epoxy/fibreglass laminate. Metal parts are brass and stainless steel.
Length, Mounted	4.6 m
Weight	Antenna: 4.0 kg 15m cable, on winder: 0.7 kg Carrying bag: 1.1 kg Total carrying weight: 5.8 kg
Wind Rating	41 m/s = 149 km/h
Finish	Polyurethane lacquer, olive drab
Temperature Range	- 55°C to + 55°C

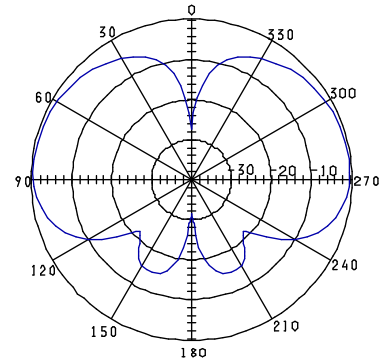
Radiation Diagram, Elevation



30 MHz

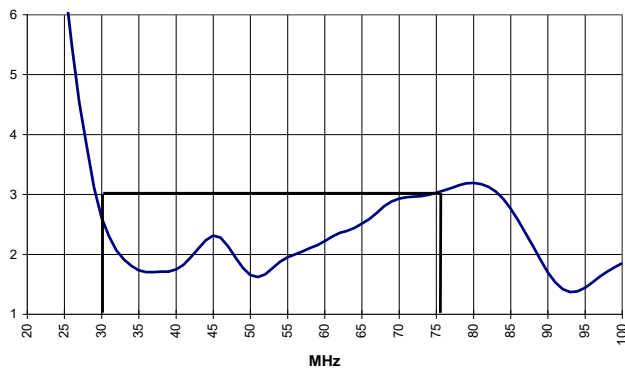


60 MHz

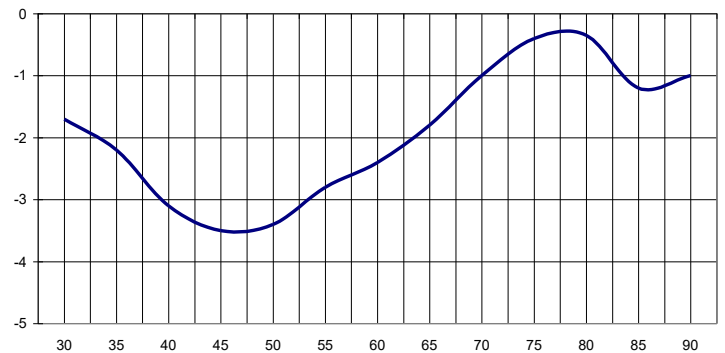


88 MHz

VSWR



Gain, Relative Dipole



Mounting

The ground plane radials are hinged to the antenna head and are placed parallel to the radiating element when assembling the antenna and in the first phase of erection. The radials fall into place gradually as the antenna is put into vertical position. This makes both erection and dismantling quicker and less hazardous and reduces the chances of the antenna getting stuck in overhead obstacles.

Combined with the Comrod AMX6, 6 m lightweight mast, two soldiers erect the antenna in minutes. For details on AMX6 mast system see separate datasheet.

Standard mount is designed to slide over a mast end with outside diameter of 50 mm. A locking screw secures the antenna to the mast. Spigot mount for fastening the antenna inside a mast tube is also available. Other fastening devices to fit existing mast material can be supplied upon request.

September 2018

All specifications are subject to change without notice
The information contained herein is for reference only and does not constitute a warranty of performance

Partnered Supplier



sales@eylex.com.au
www.eylex.com.au

