

## ULM-C 92 Series

10-24 m sectional tripod mast kit, carbon composite sections, 1.5 m sections, 92 mm diameter

### Tactical Masts: Sectional Tripod



15 m ULM Mast

### Overview

- Fully deployed heights of 10, 15, 20 and 24 m.
- The ULM-C 92 is a lightweight carbon composite sleeve mast capable of supporting headloads up to 80 kg\*.
- The mast comprises individual composite mast tube sections that fit together to give the desired height.
- The tripod support includes a lifting mechanism and hoist to raise each section.
- Telescopic tripod legs allow deployment on uneven ground.
- Tripod kneeling position for easy access to the top load.
- Central guying enables the guy tension to be maintained during erection of the mast. This enables the mast to be deployed safely in high winds.
- The mast is supplied with a ground mounting kit containing all the items required for field deployment.
- Particularly suited to supporting line-of-sight (LOS) antennas. Also suitable for supporting directional, omni-directional or wire antennas, optronic equipment and sensors.
- Azimuth rotation is possible from the ground to orientate directional top loads.
- Can be deployed by two operators in 20 minutes or three operators in 15 minutes (typical for 15 m model).
- full compliancy with ANSI TIA/EIA-222-F wind standard.

\* Typical values shown. Actual values will be subject to a combination of top load weight, top load area and pointing accuracy required.

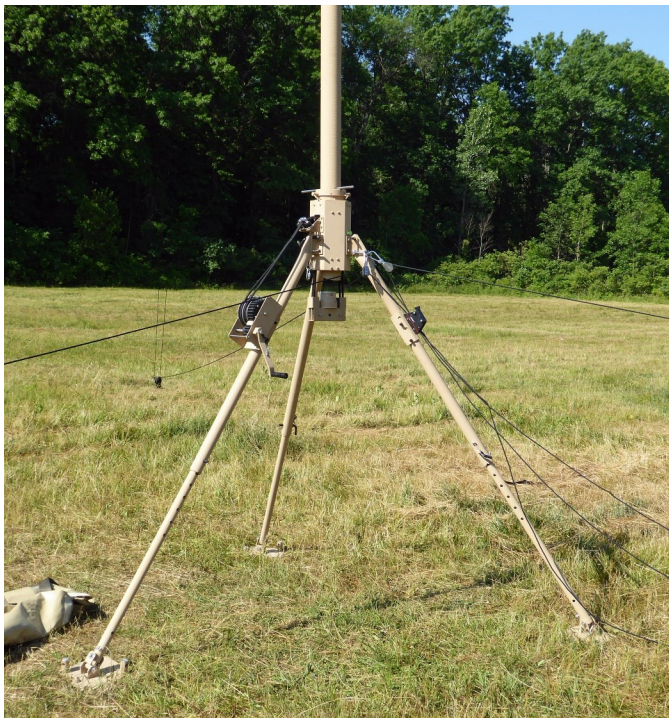


Complete mast kit packs into two man-portable bags

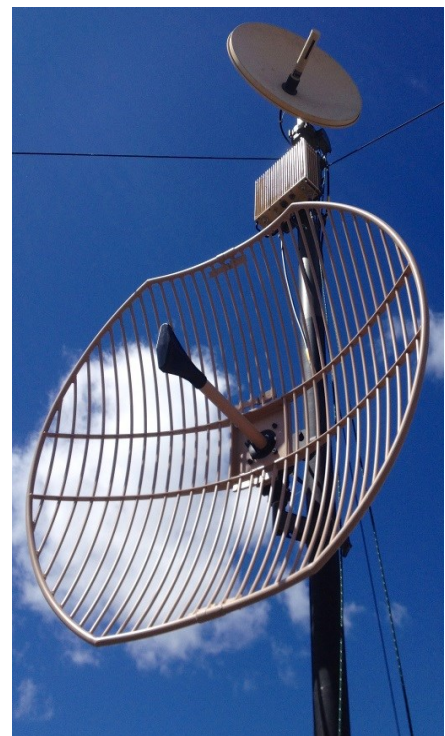
## Mechanical Specifications

Model	ULM-C 92/10-1.5	ULM-C 92/15-1.5	ULM-C 92/20-1.5	ULM-C 92/24-1.5
Height	10 m	15 m	20 m	24 m
Tube Diameter	92 mm			
Mast Section Working Length	1264.5 mm			
Maximum Headload*	80 kg, 1 m <sup>2</sup>	40 kg, 1 m <sup>2</sup>	40 kg, 0.5 m <sup>2</sup>	40 kg, 0.5 m <sup>2</sup>
Maximum Wind Speed:				
Deployment	40 km/h			
Operation	90 km/h			
Survival	120 km/h			
Maximum Bending Deflection Under Operational Wind*	< ± 3°	< ± 3°	< ± 3°	< ± 3°
Total Kit Weight	84 kg	94 kg	120 kg	130 kg
Guy Radius	8 m	10 m	14 m	16 m
Top Load Interfaces available	40 mm spigot 50 mm spigot Vee Ring Adaptor			
Temperature Range	- 40°C to +55°C			
Anchoring	3 locations at 120°	3 locations at 120°	3 locations at 120°	3 locations at 120°
Guying - 2 Levels	Lower level - Kevlar Rope Upper level - Kevlar rope	Lower level - Kevlar Rope Upper level - Kevlar rope	Lower level - Kevlar Rope Upper levels - Kevlar rope	Lower level - Kevlar Rope Upper levels - Kevlar rope
Standard Colour	IR-NATO 24x5 Army Green Other colours available on request			
Number of Operators	2 or 3	2 or 3	2 or 3	2 or 3
Setup Time	10 mins (3 operators) 15 mins (2 operators)	15 mins (3 operators) 20 mins (2 operators)	20 mins (3 operators) 25 mins (2 operators)	25 mins (3 operators) 30 mins (2 operators)

\* Typical values shown. Actual values will be subject to a combination of top load weight, top load area and pointing accuracy required.



Tripod assembly  
(shown with optional winch assembly)



Multiple headload  
mounting options

# Typical Kit Contents (15 m model)



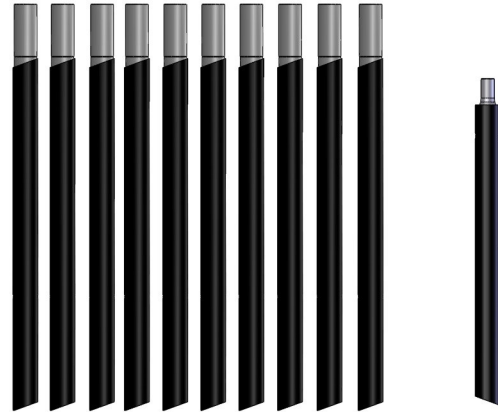
**Bag 1**

Qty : (2) Transportation bag  
(1500x370x290)  
Uw : 5.6kg (12.34lbs)



**Bag 2**

Description (Bag 1)	Qty
Mast section	10
Mast section with 50 mm spigot	1
Transportation bag	1



Qty : (10) ULM Mast section  
Uw : 2.61kg (5.75lbs)

Qty : (1) Top section Ø50mm  
Uw : 3kg (6.61lbs)

Description (Bag 2)	Qty
Tripod assembly with lifting system	1
Guy stakes 60 cm	6
Lower guy cable	3
Guying collar	2
Anchor stakes	6
Cross pin	2
Hammer 3 kg	1
Cable strap	4
Radius rope	1
Safety cable for kneeling position	2
Transportation bag	1



Qty : (1) Composite Tripod Assembly  
(shown with optional winch)  
Uw : 30 kg



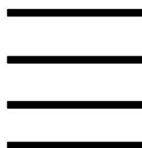
Qty : (1) 3Kg Hammer  
Uw : 4.5kg (9.92lbs)



Qty : (6) Anchor stake  
Uw : 0.6kg (1.32lbs)



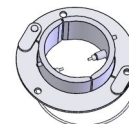
Qty : (6) Guy stake  
Uw : 1.9kg (4.19lbs)



Qty : (4) Cable strap  
Uw : 0.01kg (0.02lbs)



Qty : (2) Crosspin  
Uw : 0.25kg (0.55lbs)



Qty : (2) Guying collar  
Uw : 0.97kg (2.15lbs)



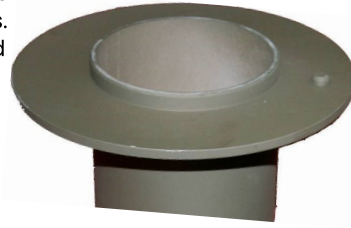
Qty : (1) Radius Rope 10m (32ft)  
Uw : 0.8kg (1.76lbs)



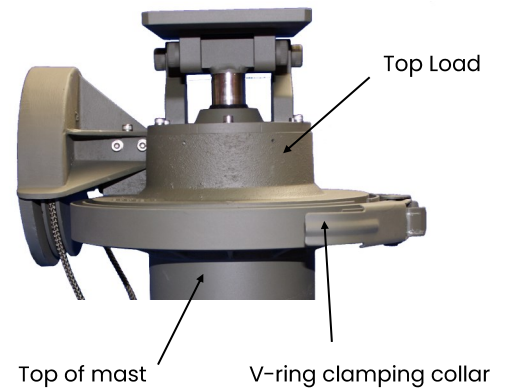
Qty : (3) Lower guy cable  
Uw : 0.8kg (1.76lbs)

## Top Load Interface (top of mast)

The top of the mast can be supplied with a 40 mm or 50 mm spigot or V-ring collar. The V-ring collar can be adapted to suit many different headloads. The V-ring provides reliable, strong and tactical fixation of many available adaptors.



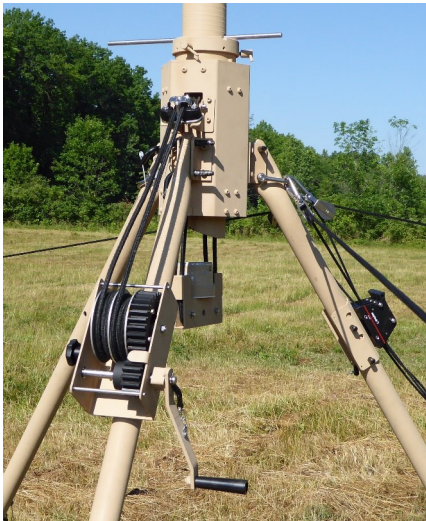
V-ring flange on top of mast



Top of mast

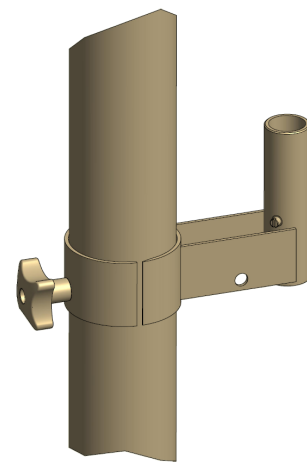
V-ring clamping collar

## Optional Accessories



### Winch Assembly

An optional winch assembly allows heavier top loads to be deployed with reduced effort.



### Bracket for Lower Antenna

A lower bracket is available with a 40 mm or 50 mm spigot. It is designed to fix a lower antenna on a ULM mast section.

### Manual Tilters and Rotator

Manual rotators and tilters allow orientation of the antenna in azimuth over 360° and elevation over ±15°. The Comrod range of rotators and tilters are particularly designed for tactical line of sight (LOS) antenna systems.

All rotators and tilters are operated from the ground using ropes.



Manual Tilter



Manual Rotator

April 2020

All specifications are subject to change without notice  
The information contained herein is for reference only and does not constitute a warranty of performance

Partnered Supplier



[sales@eylex.com.au](mailto:sales@eylex.com.au)  
[www.eylex.com.au](http://www.eylex.com.au)

