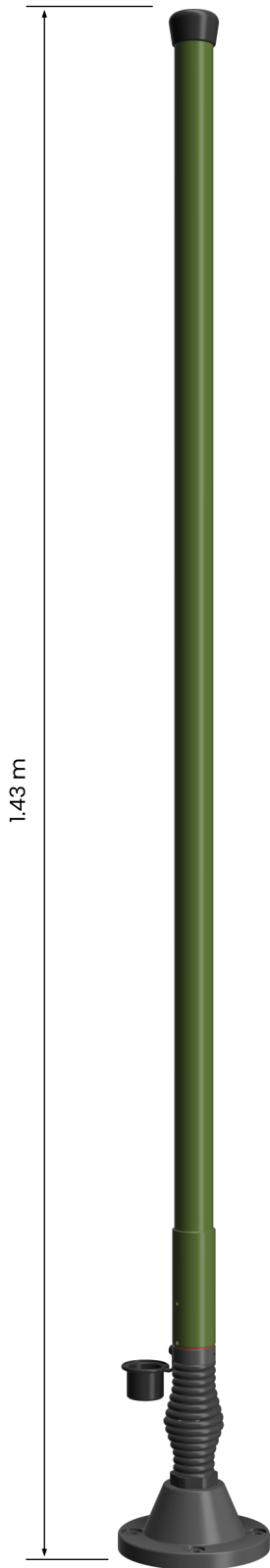


UHF380430VM/HG Series

Tetra whip series, dipole, 1.45 m, 380–430 MHz

Tactical Antennas: Vehicle Mount



UHF380430VM-HG
(Base type A)

Features

- 380–430 MHz, TETRA
- High gain, 4dBi
- Dipole design
- Designed for operation on all military and civilian platforms such as shelters, mounted on masts or on permanent installations
- Rugged high quality antenna with a durable construction
- NATO flange base options available including vehicle/shelter, mast mount and GPS
- Permanent mast mount bracket option

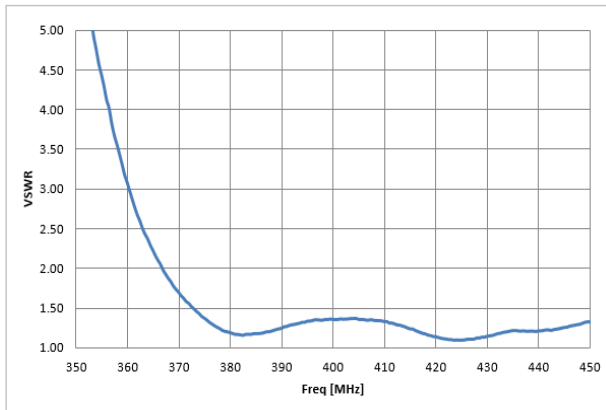
Electrical Specifications

Frequency Range	380 – 430 MHz
VSWR	< 2:1
Nominal Impedance	50 Ω
Power Rating	50 W CW
Gain	See graph
Radiation Pattern	Azimuth: Omnidirectional Elevation: See diagram overleaf
Polarisation	Vertical
Connector	BNC standard, others on request

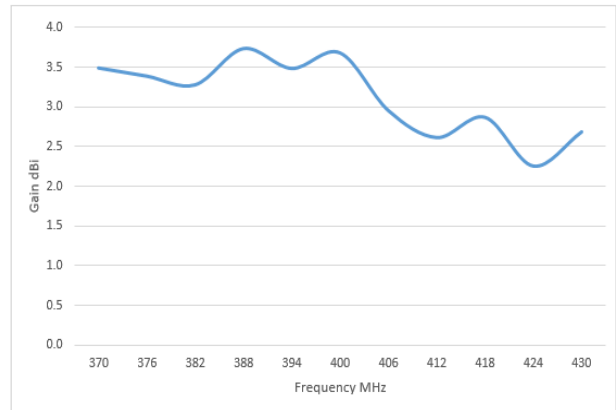
Mechanical Specifications

Design	Dual dipoles. Radiating element completely enclosed in epoxy/fibreglass laminate. Metal parts are brass and stainless steel.
Length	1.43 m with base type A
Weight	3.8 kg with base type A
Wind Rating	55 m/s = 201 km/h
Finish	Polyurethane lacquer, olive drab Other colours on request
Temperature Range	- 55°C to + 71°C

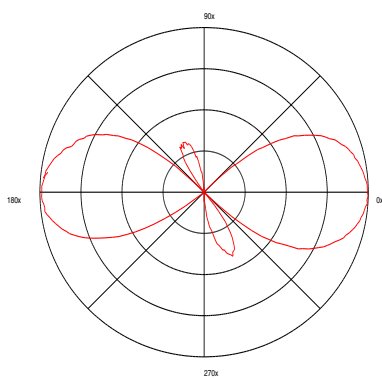
VSWR (typical)



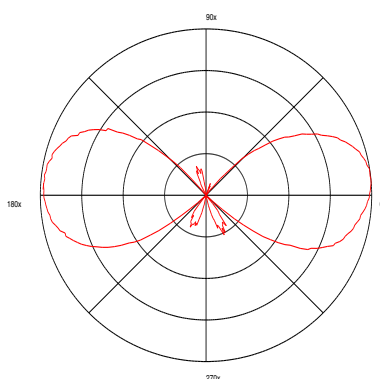
Gain (typical)



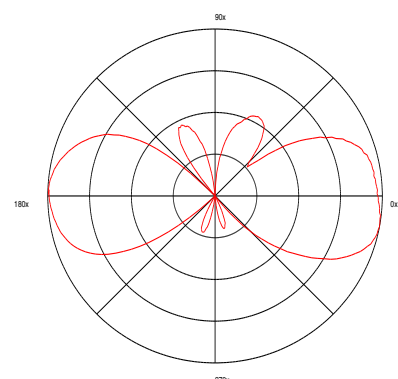
Elevation Patterns (typical)



377 MHz



405 MHz



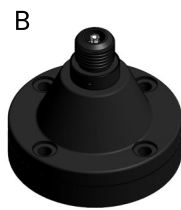
433 MHz

Base Options

Bases are available to suite most mounting configurations. L1 and L1/L2 GPS and high voltage protection is also available on many bases. Below is a small selection, please view datasheet *Dipole-Antenna-Mounts.pdf* for a more detailed selection or contact Eylex to discuss your requirement.



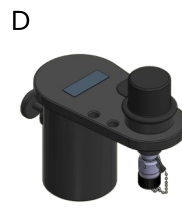
A
NATO 4-hole Spring
GPS Option
4 x M10 or 3/8" Bolts
on 114 mm PCD
Base Dia. 140 mm



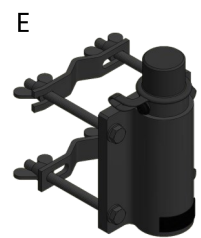
B
NATO 4-hole Rigid
GPS Option
4 x M10 or 3/8" Bolts
on 114 mm PCD
Base Dia. 140 mm



C
NATO 50mm Thread
GPS Option
Base Dia. 74 mm
Base Dia. 95 mm - GPS

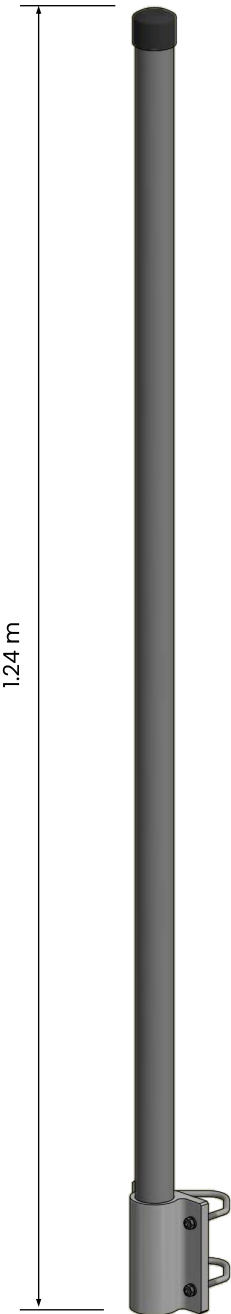


D
Mast Mount Bracket
Ø24 mm Spigot
Ø40 mm Spigot
Ø50 mm Spigot
Ø40 mm Socket
Ø50 mm Socket
Customer Specified



E
Pole/Rail Clamp Bracket
Pole diameters up to 65 mm
0 or 90 degree mounting

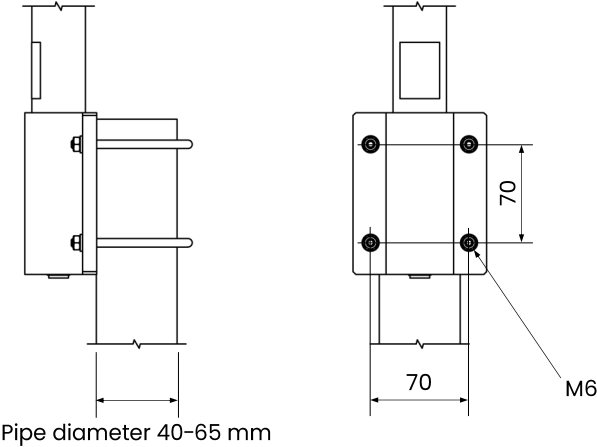
Permanent Mount UHF380430M-HG



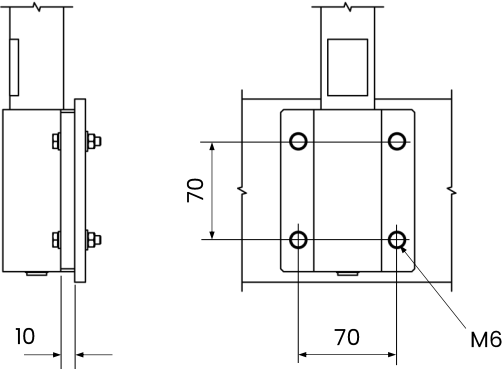
1.24 m

UHF380430M-HG
(Permanent Mount)

Pole Mounting



Bulkhead/Wall Mounting



February 2021

All specifications are subject to change without notice
The information contained herein is for reference only and does not constitute a warranty of performance

Partnered Supplier



sales@eylex.com.au
www.eylex.com.au

