

UHF2450VM/D

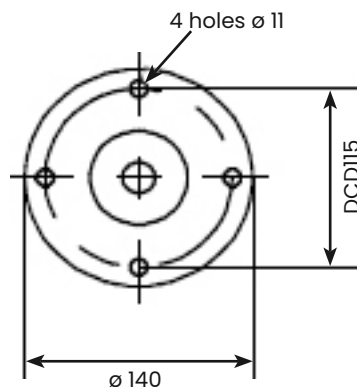
WLAN vehicle whip, dipole, 0.9 m, 2400-2480 MHz

Tactical Antennas: Vehicle Mount



Application

- Dual dipole whip for WLAN
- 2400 - 2480 MHz
- Rugged high quality dipole antenna
- High quality antenna with a durable construction
- The dipoles have individual connectors making the antenna suitable for diversity receivers
- No ground plane required
- NATO flange base with spring

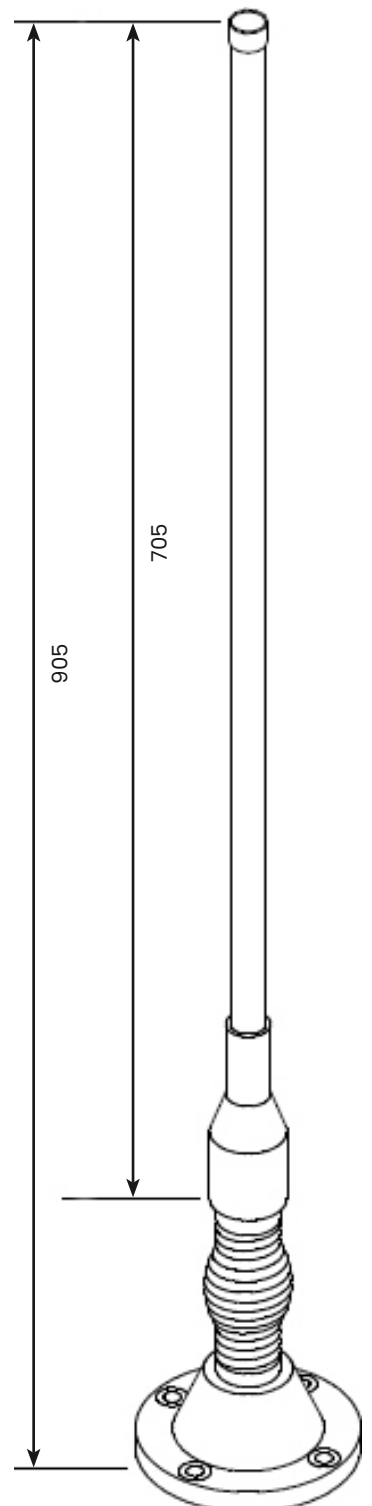


Electrical Specifications

Frequency Range	2400 - 2480 MHz	
VSWR	≤ 1.8	
Nominal Impedance	50 W	
Power Rating	20 W continuous for 0.5 h	
Gain	≥ 0 dBi	
Radiation Pattern	Horizontal Plane	Omnidirectional
	Vertical Plane	Like any dipole
Polarisation	Vertical	
DC - Grounded	Yes	
Connector	Antenna	Comrod dual 1023 - female
	Base Top	Comrod dual 1023 - male
	Base Bottom	SMA - female

Mechanical Specifications

Design	Two centre fed coaxial dipoles. Radiating elements completely enclosed in polyurethane foam within a fibreglass tube.	
Length	90.5 cm	
Weight	Whip	0.6 kg
	Base	2.4 kg
Finish	Polyurethane lacquer	
Temperature Range	- 55°C to + 71°C	



September 2018

All specifications are subject to change without notice

The information contained herein is for reference only and does not constitute a warranty of performance

Partnered Supplier



sales@eylex.com.au
www.eylex.com.au