

RA708 Series

Weather and Vandal Resistant Telephones Telephones



Features

- Robust Construction
- All Weather Protection
- Vandal Resistant
- Tamper Resistant Fixings
- Highly Reliable Operation
- Simple Installation
- Fast-fit Terminal Connection
- Various Mounting Options
- Full Keypad, Lift & Dial or C.B. (Hot Line) Operation
- Auto-dial Option
- Non-volatile memory
- Line Powered
- Tough Polyurethane Handset
- REN-1 rating
- Lockable Door Option



These telephone instruments are fully contained within a corrosion resistant cast aluminium weatherproof case with a self-closing door providing complete protection against dust and moisture ingress, resulting in a highly reliable product with a long MTBF. The unique robust handset is manufactured from moulded polyurethane and designed specifically to withstand arduous use in all environments. It can be fitted with an armoured cord, if required, to provide additional resistance to vandalism or heavy industrial use.

The RA708 Weatherproof Telephone is designed for use by the railways, power stations, the armed services and heavy industry which require very reliable telephony under adverse conditions.

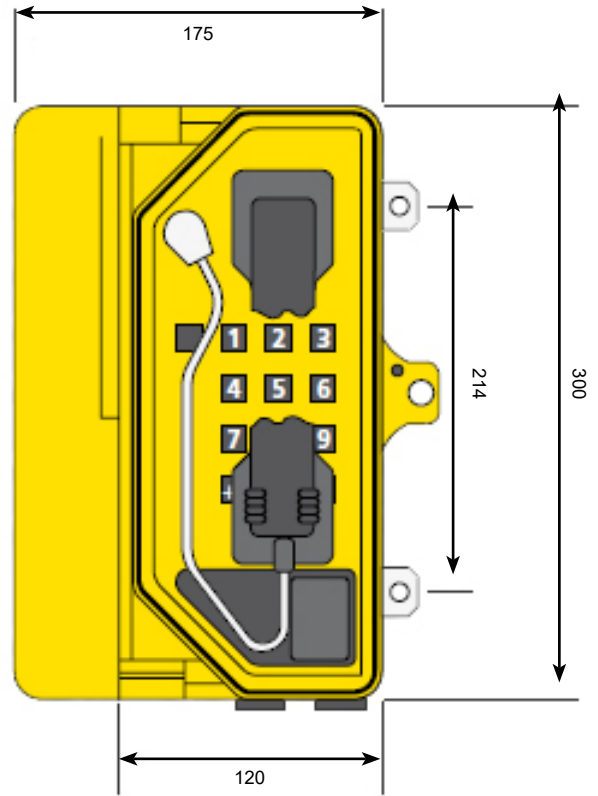
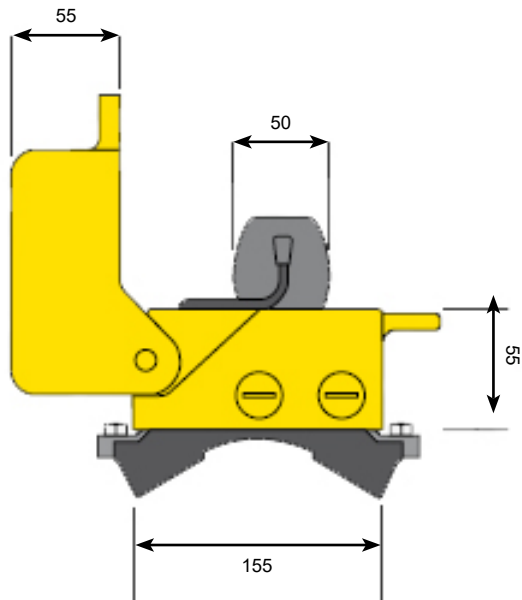
The powder coat finish (Yellow or Grey) is durable, resistant to discolouration and yet easily cleaned. Telephones can be wall mounted, side of pole mounted or, by utilising a specific bracket, top of pole mounted.

Installation is simple and quick via M20 cable glands on to fast-fit connectors which are accessed without the need for dismantling the telephone body.

Technical Specifications

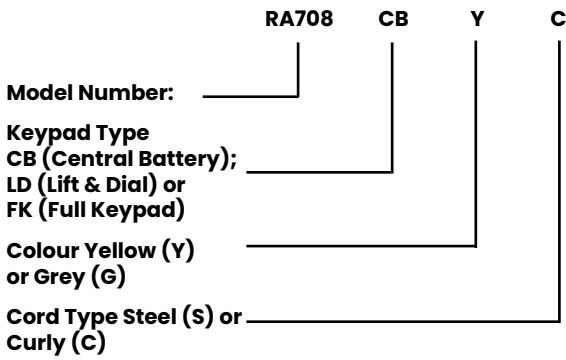
Speech/Network Interface	EN 301 437 V1.1.1 (Manufactured to TBR21 TBR38)
Ringling	Frequency modulated, Piezo transducer, cadence as per incoming ringing. REN 1.0
Power Supply	Line powered, 10 mA minimum
Time Out	3 minutes, 7 minutes and time out disabled
Operating Temperature	- 30°C to + 60°C
Storage Temperature	- 40°C to + 70°C
Relative Humidity	Up to 95% (non condensing)
Casing Material	Robust cast aluminium
Colours	Standard Yellow or Grey durable powder coat (Custom colours available)
Programming	Externally connected keypad matrix
Safety	Manufactured to BS EN 60950
Protection	Dust and liquids to SB 5490: 1977 IP55
Handset 'Wrench' Test	Curly Cord: 18 kg maximum Armoured Cord: 150 kg maximum

Dimensions

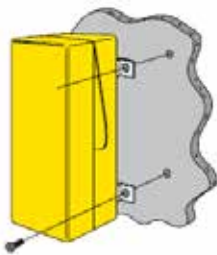


Ordering Information

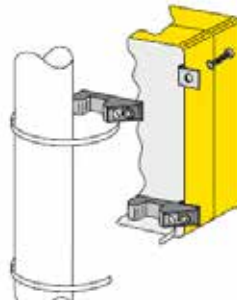
Weatherproof Telephone



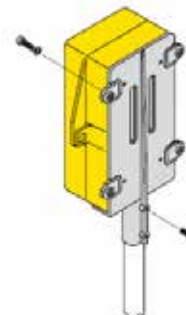
Fixing Options



WALL MOUNTING
 Integral with
 backplate on all
 telephones



SIDE OF POLE MOUNTING
 Part Number: 10/06/3425



TOP OF POLE MOUNTING
 Part Number: 503483/2-1 (grey)
 Part Number: 503483/2-2 (yellow)

September 2018

All specifications are subject to change without notice
 The information contained herein is for reference only and does not constitute a warranty of performance

Partnered Supplier



sales@eylex.com.au
 www.eylex.com.au

