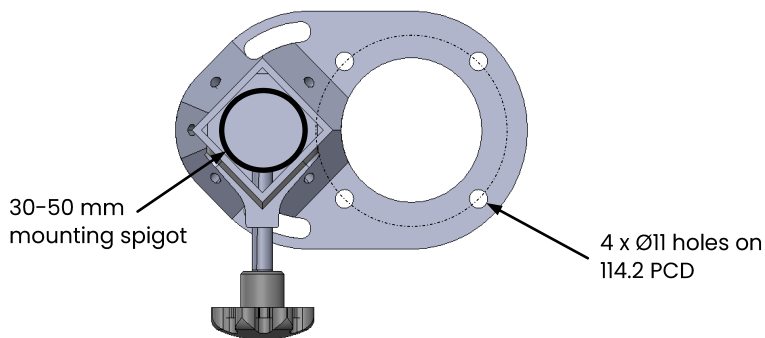
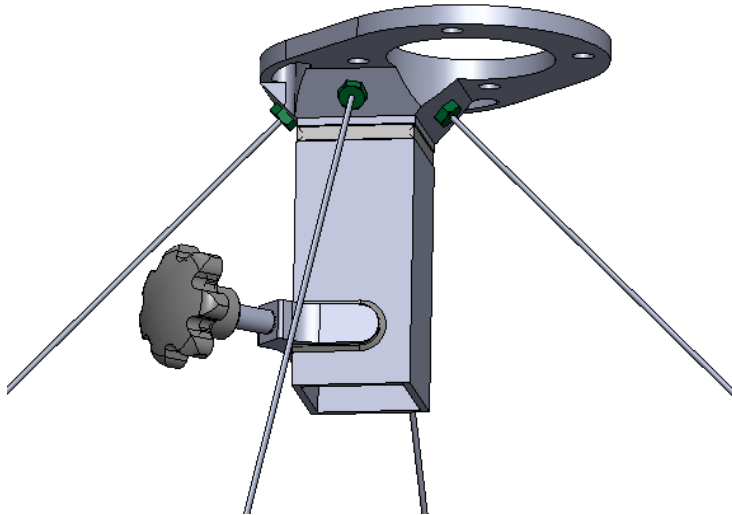


NATO 4-hole Bases

Groundplane kit for mast mounting VHF monopole antennas

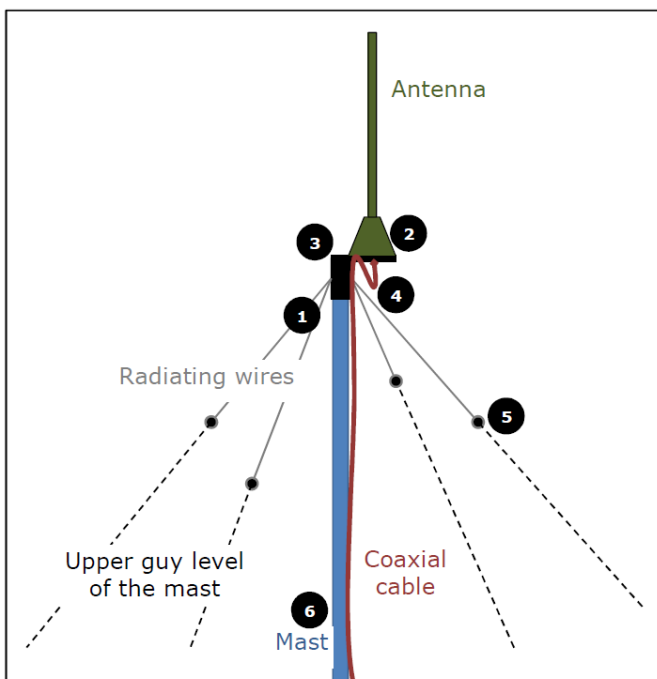
Tactical Antennas: Tactical and Base Station



Key Features

- Used to elevate VHF monopole antennas fitted with the standard NATO 4-hole mounting base
- Conductive radials provide the groundplane required for a monopole antenna
- 3 or 4 radials depending on mast guying requirement
- Fits onto a 30-50 mm male spigot (top of mast)
- Dipoles can also be mounted without the ground radials

Typical Installation

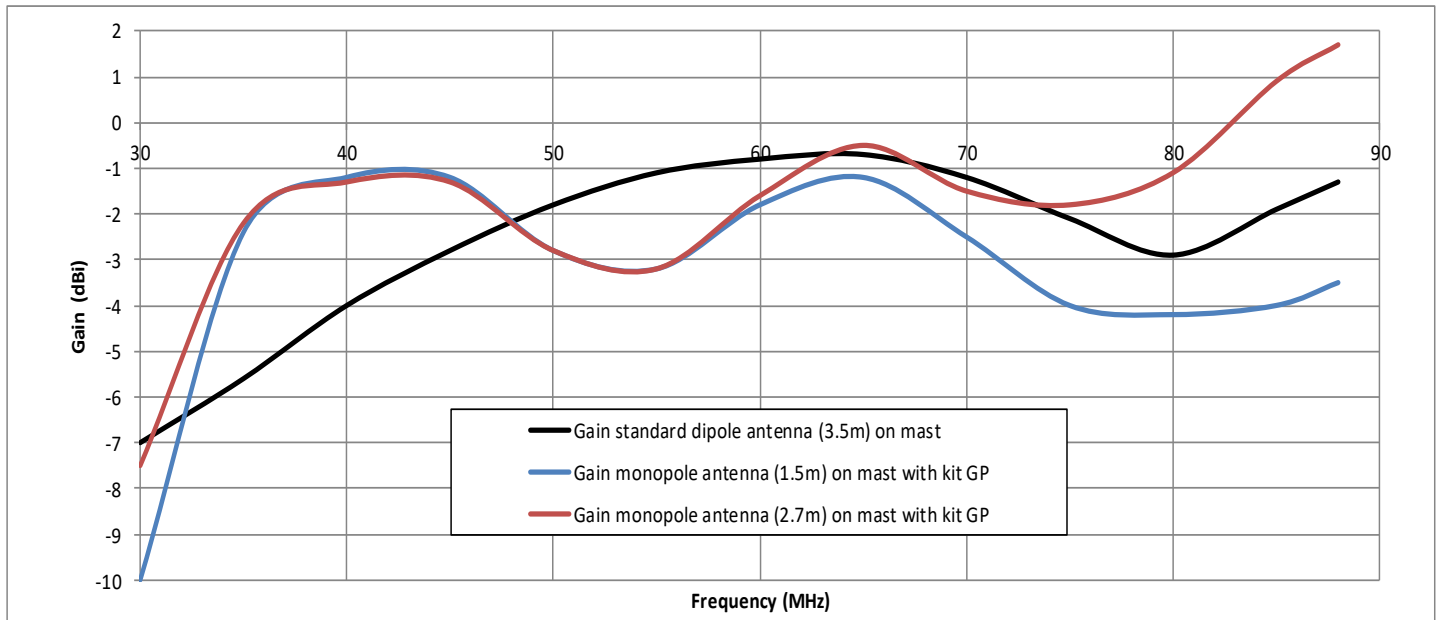


Item	Description
1	Attach 3 or 4 groundplane wires depending on mast guying configuration
2	Fit antenna onto bracket using NATO standard 4-hole mounting (bolts not supplied)
3	Fit the ground-plane kit onto the top of the mast spigot
4	Fit the antenna coaxial cable. Slots are provided for attaching a cable strain relief snap hook
5	Attach the mast guys onto the ends of the groundplane wires
6	Raise the mast and tension the guys according to the mast handbook

Groundplane Kit and Four Conductive Radials



Typical Gain Comparison Curves for a Dipole vs Monopole/Groundplane Kit Configuration



September 2018

All specifications are subject to change without notice
The information contained herein is for reference only and does not constitute a warranty of performance

Partnered Supplier



sales@eylex.com.au
www.eylex.com.au

