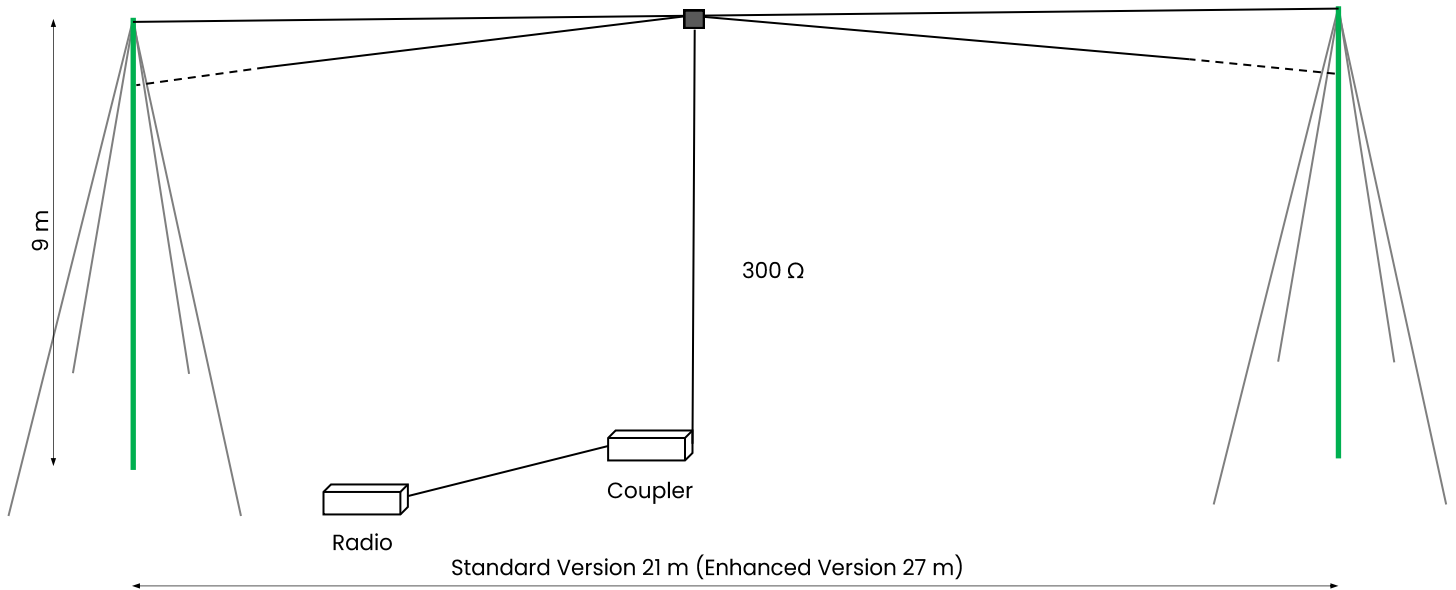


HF230D-BF

HF broadband wire dipole antenna, balanced feed, 26 m, 2-30 MHz

Tactical Antennas: Tactical and Base Station



Features

- 1.6-30 MHz – 400 W
- Dipole elements with 300 Ω balanced feed
- Permits fast frequency shifts as it does not require adjustments
- Easy to erect and disassemble
- Two version of the kit are available:
 - Standard Kit – antenna supplied in a carrying bag with standard length dipole wires
 - Enhanced Kit – antenna supplied with sturdy carrying case and additional longer dipoles wires for improved low frequency performance
- Both versions of the kit are supplied with two 9 metre sectional support mast kits

Electrical Specifications

Frequency Range*	1.6-30 MHz
Power Rating	400 W CW
Input Impedance	300 Ω balanced

Mechanical Specifications

Design	Wire dipole feed with a 300 Ω balanced feed
Element Span	26 m
Wind Rating	55 m/s = 201 kph
Temperature Range	- 55°C to + 71°C
Installation	Between two support masts (supplied) raised 7-9 m above the ground
Antenna Kit Weights	Standard Version – 3.7 kg Enhanced Version – 17 kg
Mast Kit Weight (each)	15.2 kg

* Frequency subject to coupler performance (not supplied as part of kit)

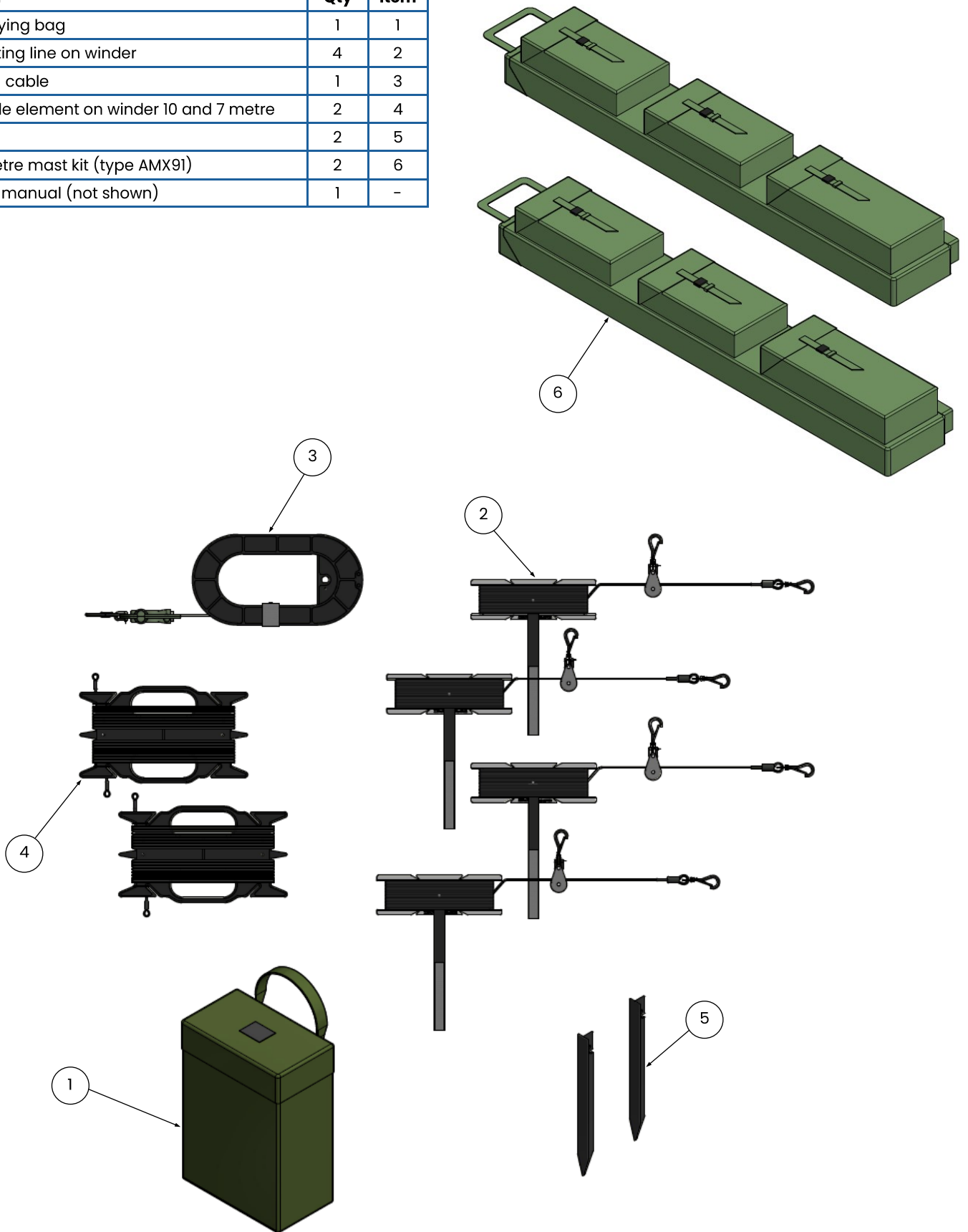


Enhanced Kit - Carrying case used to house HF coupler
(coupler not supplied as part of kit)

Kit List - Standard Version

The standard kit is supplied in a compact carrying case with dipole wires lengths of 10 and 7 metres.

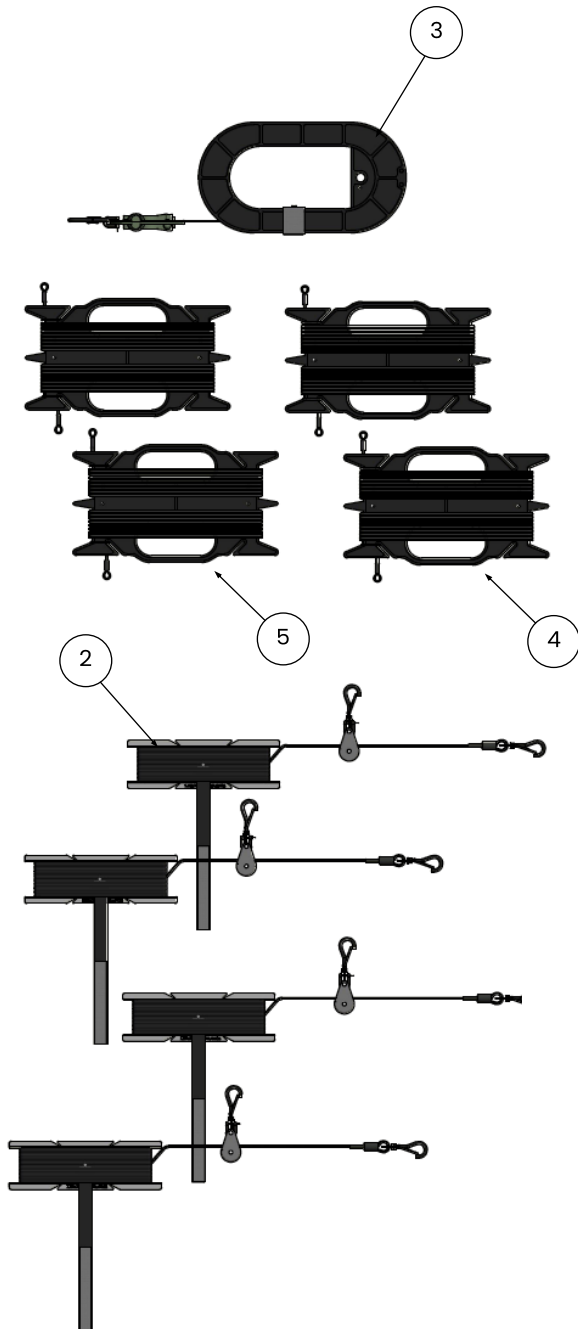
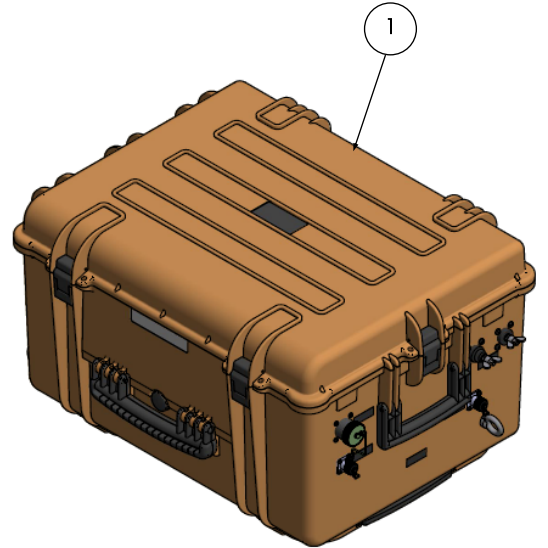
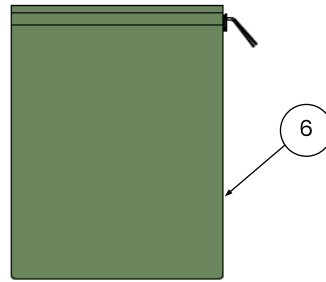
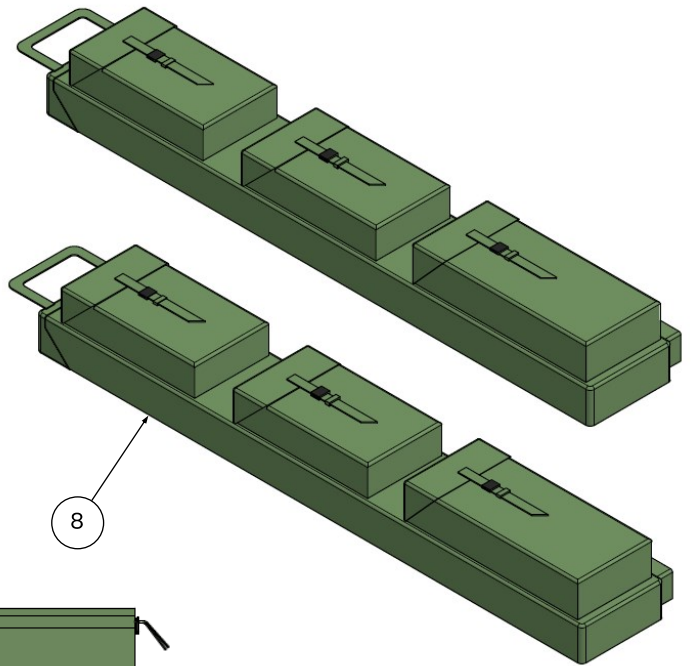
Item	Qty	Item
Carrying bag	1	1
Hoisting line on winder	4	2
Feed cable	1	3
Dipole element on winder 10 and 7 metre	2	4
Peg	2	5
9 metre mast kit (type AMX91)	2	6
User manual (not shown)	1	-



Kit List - Enhanced Version

The enhanced kit is supplied in a robust carrying case that is also used to house the HF coupler during operation. The enhanced kit includes the standard dipole wires lengths of 10 and 7 metres and also longer 13 and 10 metre dipole wires for improved low frequency performance.

Item	Qty	Item
Transport case (antenna)	1	1
Hoisting line on winder	4	2
Feed cable	1	3
Dipole element on winder 10 and 7 metre	2	4
Dipole element on winder 13 and 10 metre	2	5
Accessory bag	2	6
Peg	2	7
9 metre mast kit (type AMX91)	2	8
User manual (not shown)	1	-



February 2022

All specifications are subject to change without notice
The information contained herein is for reference only and does not constitute a warranty of performance

Partnered Supplier



sales@eylex.com.au
www.eylex.com.au

