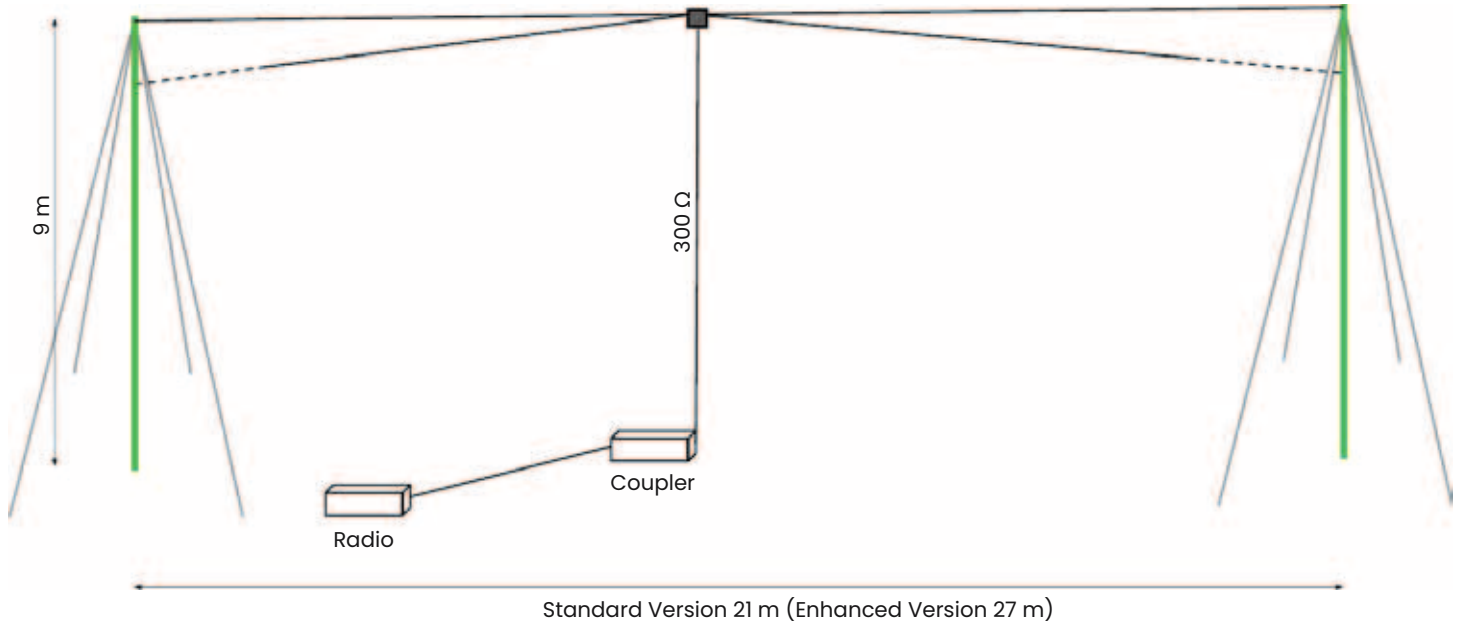


## HF230AWD Series

HF adjustable wire dipole antenna, 1.5–35 m, 2–30 MHz

**Tactical Antennas: Tactical and Base Station**



### Features

- 2 – 30 MHz – 400W
- Dipole elements with 300 ohm balanced feed.
- Permits fast frequency shifts as it does not require adjustments.
- Easy to erect and disassemble.
- Two version of the kit are available:-
  - Standard Kit – antenna supplied in a carrying bag with standard length dipole wires.
  - Enhanced Kit – antenna supplied with sturdy carrying case and additional longer dipoles wires for improved low frequency performance.
- Both versions of the kit are supplied with two 9 metre sectional support mast kits.



Enhanced Kit – Carrying case used to house HF coupler  
(coupler not supplied as part of kit)

### Electrical Specifications

<b>Frequency Range</b>	2 – 30 MHz
<b>Power Rating</b>	400 W CW
<b>Input Impedance</b>	300 Ω balanced

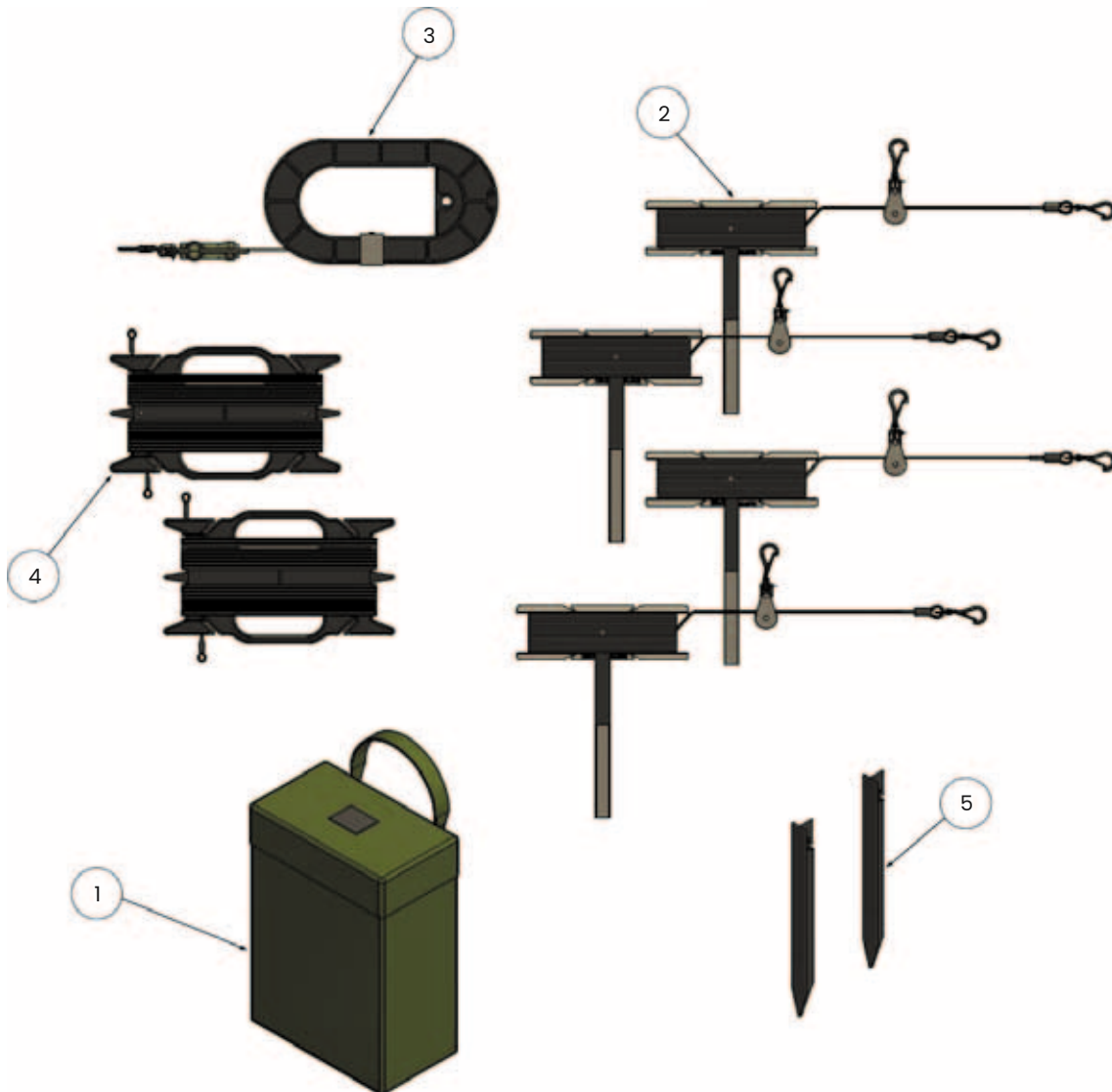
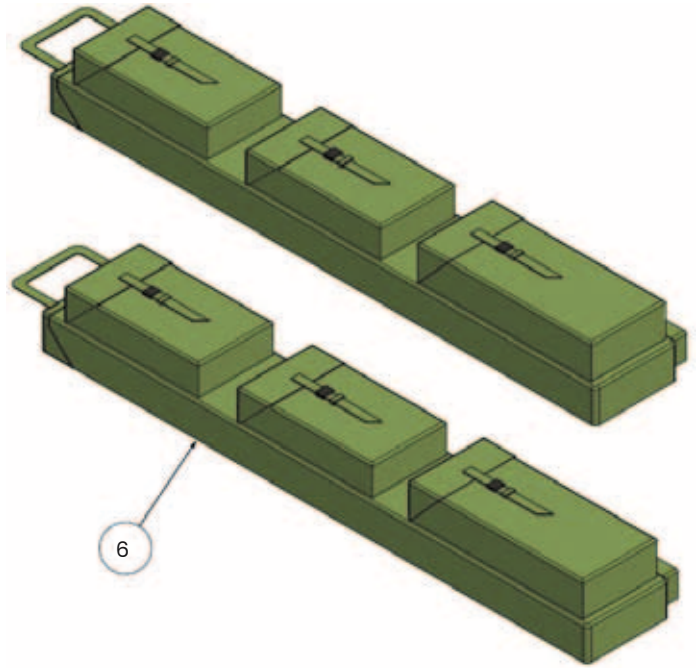
### Mechanical Specifications

<b>Design</b>	Wire dipole feed with a 300 Ω balanced feed
<b>Element Span</b>	26 m
<b>Wind Rating</b>	55 m/s = 201 km/h
<b>Temperature Range</b>	- 55°C to + 71°C
<b>Installation</b>	Between two support masts (supplied) raised 7 – 9 m above the ground
<b>Antenna Kit Weights</b>	
• <b>Standard Version</b>	3.7 kg
• <b>Enhanced Version</b>	17 kg
<b>Mast Kit Weight (each)</b>	15.2 kg

## Kit List - Standard Version

The standard kit is supplied in a compact carrying case with dipole wires lengths of 10 and 7 metres.

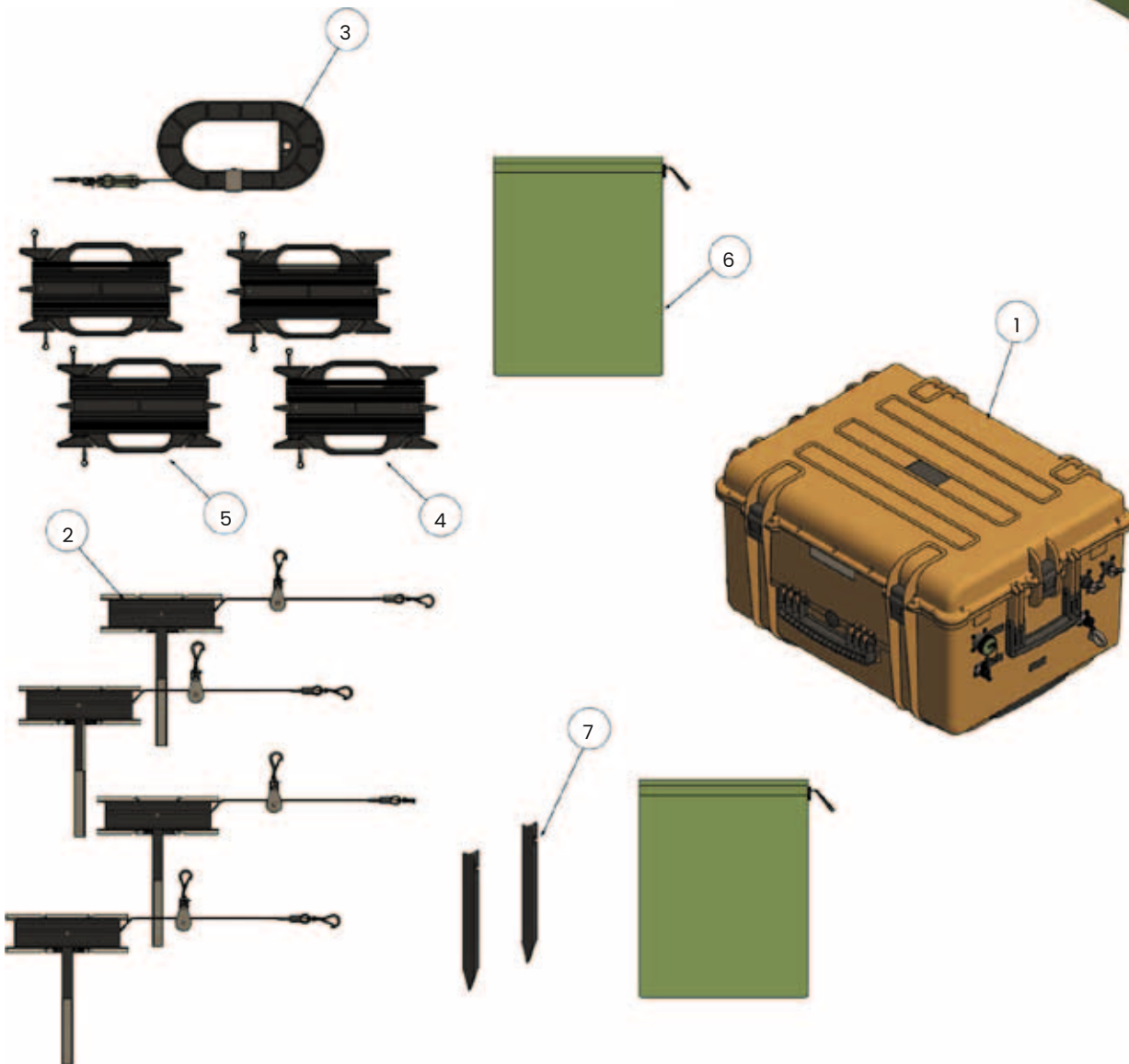
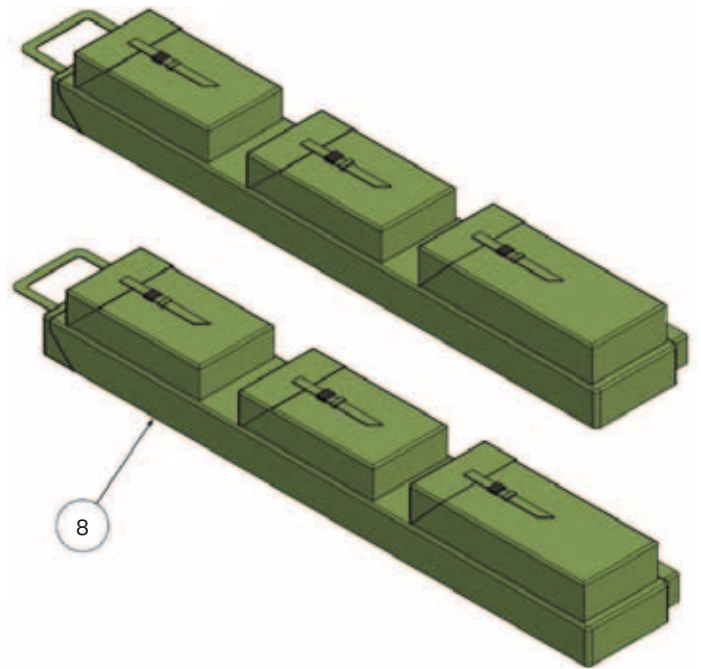
Description	Quantity	Item
Carrying Bag	1	1
Hoisting Line on Winder	4	2
Feed Cable	1	3
Dipole Element on Winder 10 & 7 metre	2	4
Peg	2	5
9 metre Mast Kit (type AMX91)	2	6
User Manual	1	not shown



## Kit List - Enhanced Version

The enhanced kit is supplied in a robust carrying case that is also used to house the HF coupler during operation. The enhanced kit includes the standard dipole wires lengths of 10 and 7 metres and also longer 13 and 10 metre dipole wires for improved low frequency performance.

Description	Quantity	Item
Transport Case (Antenna)	1	1
Hoisting Line on Winder	4	2
Feed Cable	1	3
Dipole Element on Winder 10 & 7 metre	2	4
Dipole Element on Winder 13 & 10 metre	2	5
Accessory Bag	2	6
Peg	2	7
9 metre Mast Kit (type AMX91)	2	8
User Manual	1	not shown



September 2018

---

All specifications are subject to change without notice  
The information contained herein is for reference only and does not constitute a warranty of performance

**Partnered Supplier**



[sales@eylex.com.au](mailto:sales@eylex.com.au)  
[www.eylex.com.au](http://www.eylex.com.au)

