

## ETAMS

Elevated Tri-band Antenna Masts System (ETAMS), 8.5 m,  
30-88 MHz, 225-450 MHz, 1200-2600 MHz

### Tactical Antennas: Tactical and Base Station

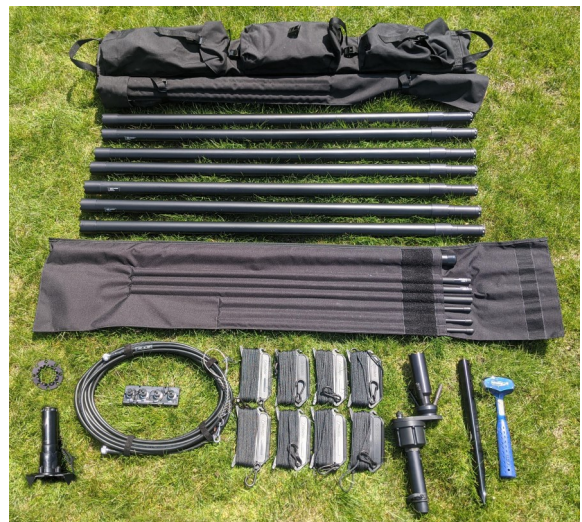


ETAMS deployed

- Tactical Tri-band Antenna and 8.5 m mast kit
- Direct replacement for legacy OE-254 with extended frequency capability to support modern networking waveforms
- Antenna frequency range:
  - VHF (30-88 MHz)
  - UHF (225-450 MHz)
  - L-Band (1200-2600 MHz)
- Single port Antenna design reduces cabling to antenna
- High isolation between bands
- Antenna tripod included for ground level deployment
- Coaxial Cable (LMR400) and Triplexer included
- 8.5 m manportable support mast (AMX85)
- Complete kit supplied in one compact bag
- System can be deployed in less than 10 minutes



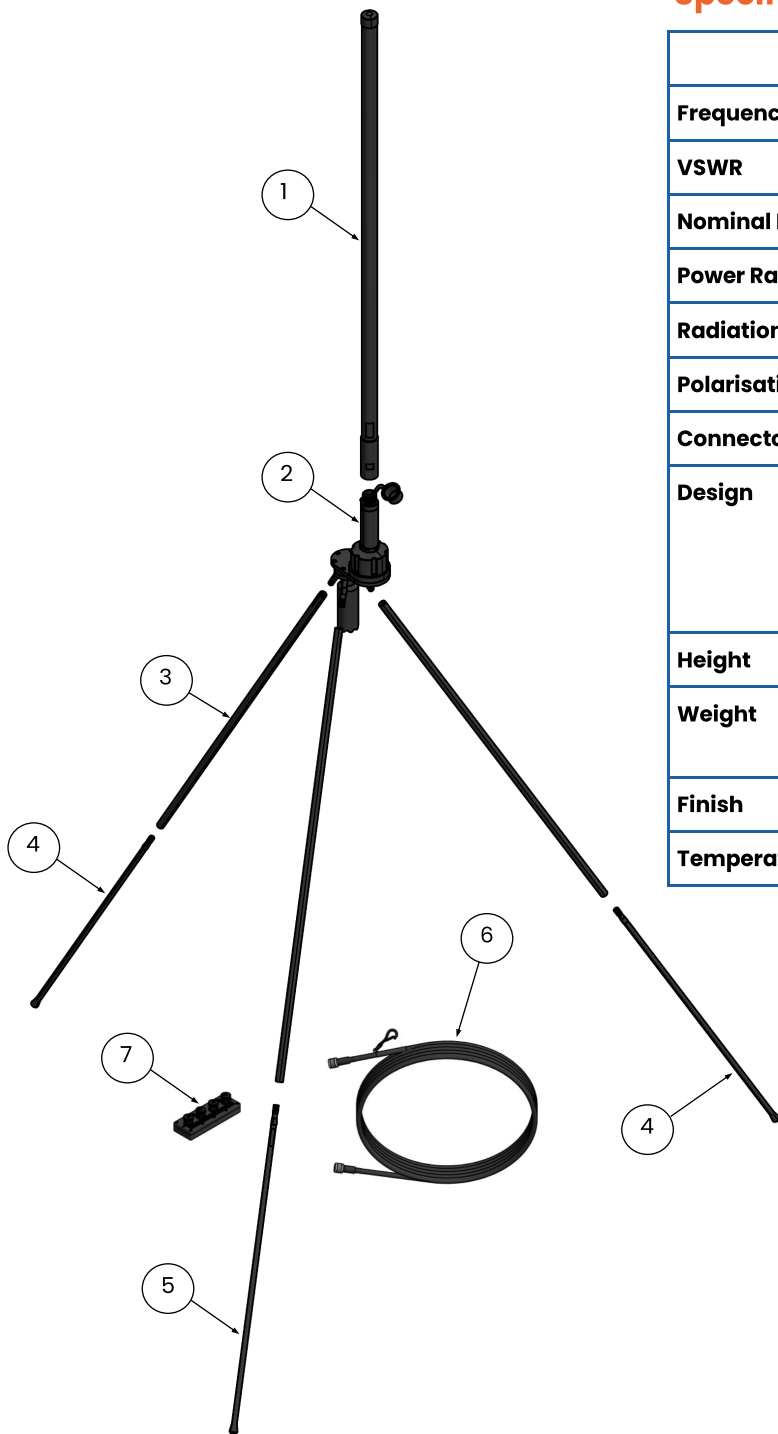
Antenna and mast kit supplied in one compact carrying bag



Antenna and mast kit removed from bags

## Specifications - Antenna Assembly

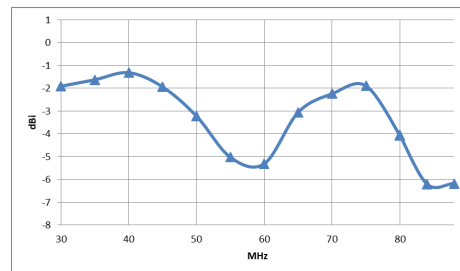
	VHF	UHF	L-Band
<b>Frequency Range</b>	30-88 MHz	225-450 MHz	1200-2600 MHz
<b>VSWR</b>	< 3.5	< 3.0	< 3.0
<b>Nominal Impedance</b>	50 $\Omega$		
<b>Power Rating</b>	75 W	75 W	50 W
<b>Radiation Pattern</b>	Omnidirectional within $\pm 2$ dB		
<b>Polarisation</b>	Vertical		
<b>Connector</b>	N type Female		
<b>Design</b>	VHF monopole, UHF dipole, L-S band dipole elements. Radiating elements completely enclosed in epoxy/fibreglass laminate. Metal parts are brass, aluminium and stainless steel.		
<b>Height</b>	3.1 m - Antenna + Tripod		
<b>Weight</b>	Whip: 1.4 kg Tripod: 3.8 kg		
<b>Finish</b>	Polyurethane lacquer		
<b>Temperature Range</b>	- 55°C to + 71°C		



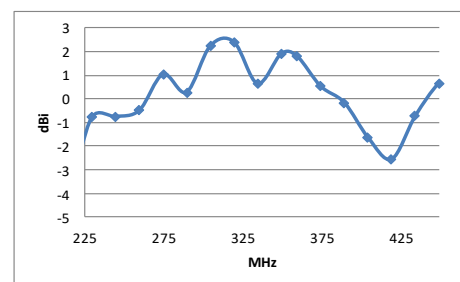
### Antenna Kit List

Part	Item	Qty
Antenna Whip	1	1
Antenna Mast Adaptor	2	1
Inner Radial I	3	3
Outer Radial D	4	2
Outer Radial C	5	1
Coaxial Cable (LMR400) 12m	6	1
Triplexer	7	1
Antenna Roll-Up Bag (not shown)	-	1

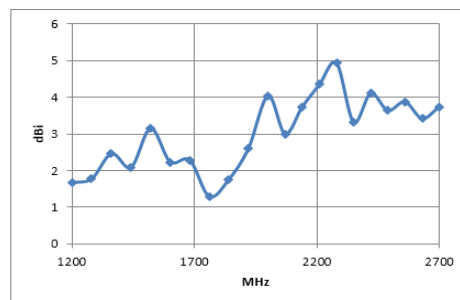
VHF gain, dB rel. 1/4 wave resonant whip  
in centre of 3x3m ground plane



UHF gain, dBi

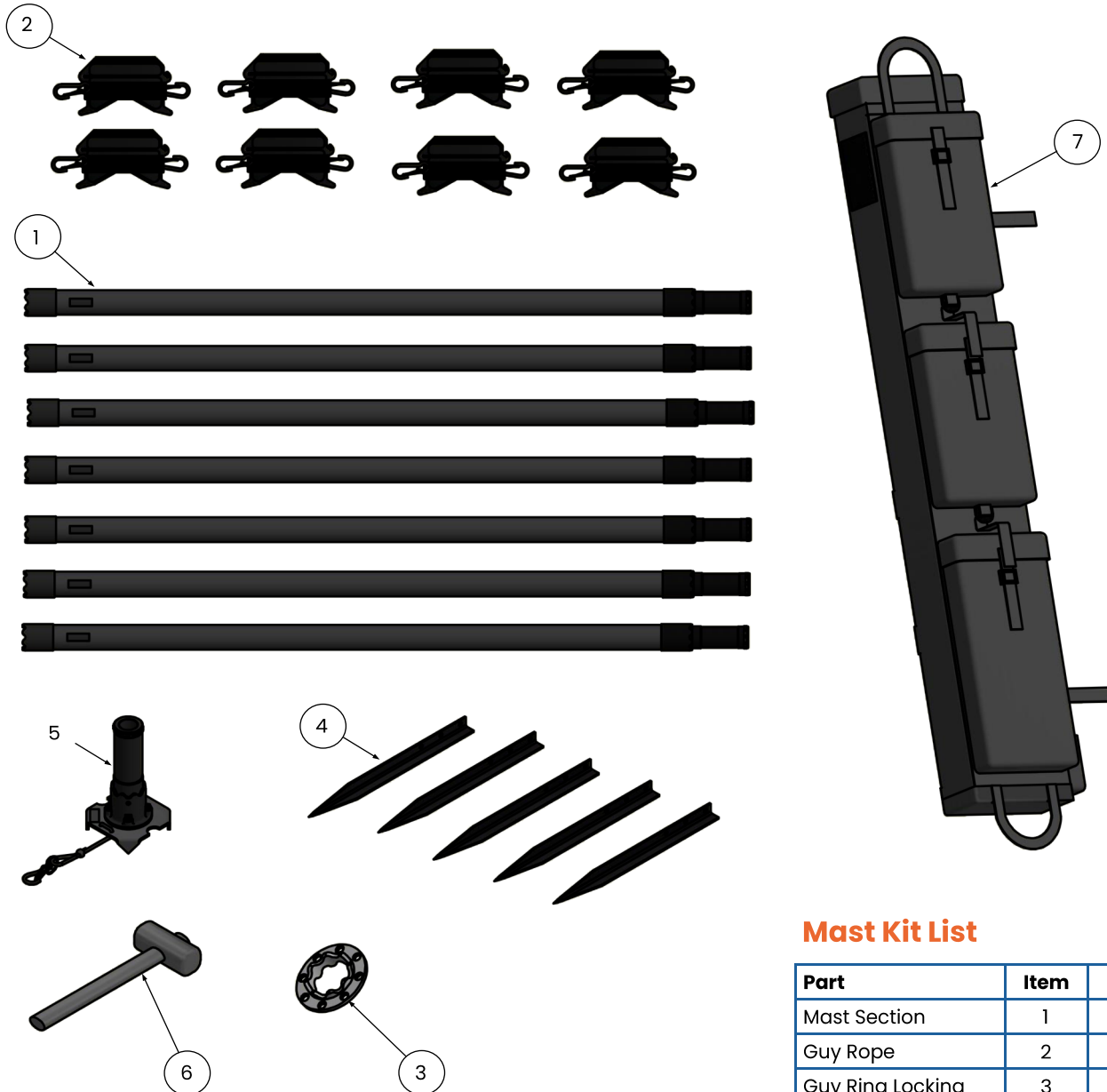


L-band gain, dBi



## Specifications - Mast Assembly

<b>Mast Sections</b>	Fibreglass tube outside diameter Ø 44.5 mm, 132 cm long. Green, tan or black paint finish.
<b>Total Mast Kit Weight</b>	14.9 kg
<b>Top Interface</b>	Ø 39 mm OD spigot, 100 mm long (to fit 40 mm socket)
<b>Guy</b>	4 x upper and 4 x middle guys. 3 mm braided rope on winder with adjustable lock and snap hooks each end.
<b>Guy Pegs</b>	5 pcs steel
<b>Base Support</b>	Baseplate
<b>Wind Speed (Max)</b>	96 km/h, including gust
<b>Temperature Range</b>	- 55°C to + 55°C



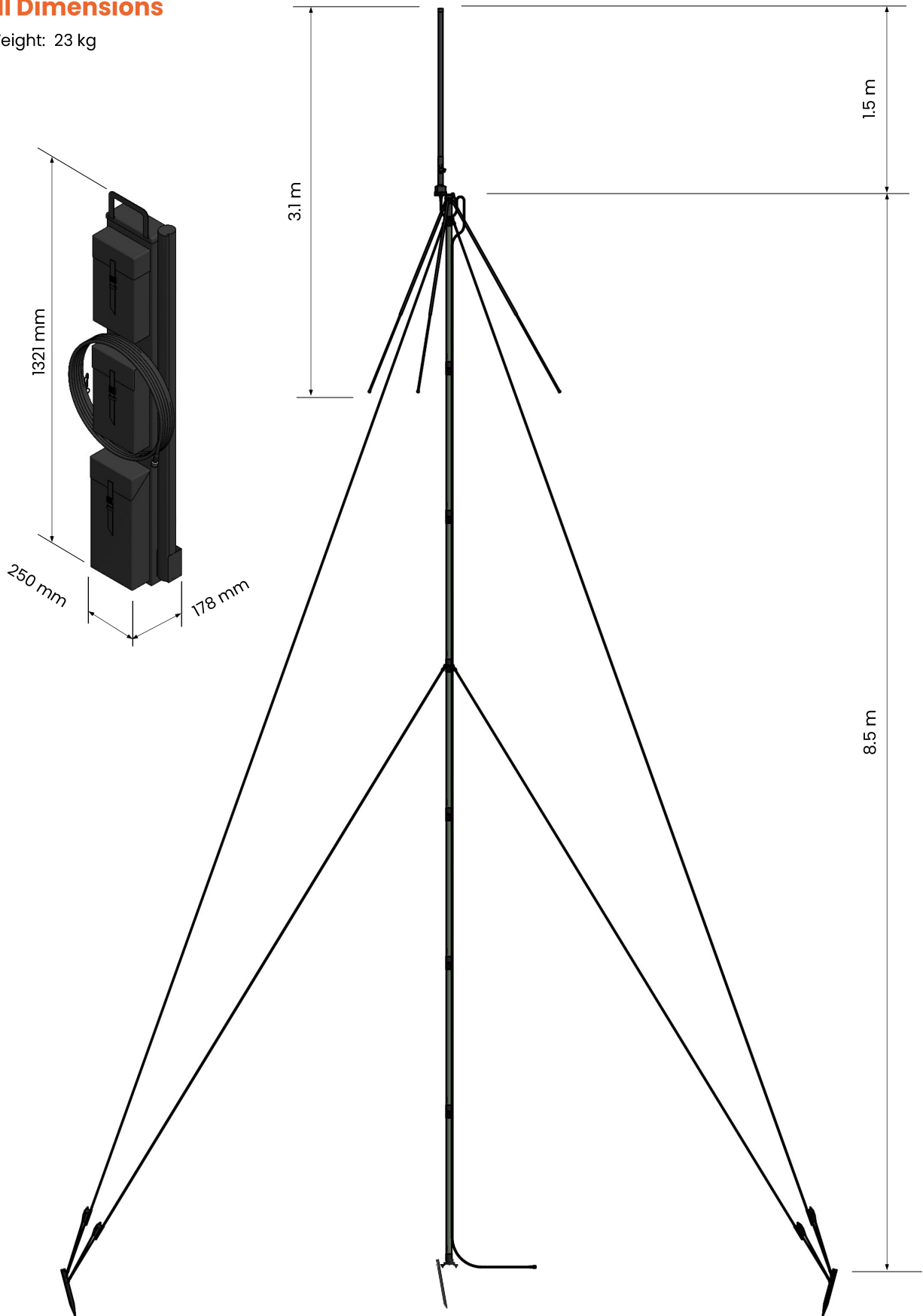
### Mast Kit List

Part	Item	Qty
Mast Section	1	7
Guy Rope	2	8
Guy Ring Locking	3	1
Guy Peg	4	5
Baseplate	5	1
Hammer	6	1
Carrying Bag	7	1



## Overall Dimensions

System Weight: 23 kg



August 2020

All specifications are subject to change without notice  
The information contained herein is for reference only and does not constitute a warranty of performance

Partnered Supplier



[sales@eylex.com.au](mailto:sales@eylex.com.au)  
[www.eylex.com.au](http://www.eylex.com.au)

