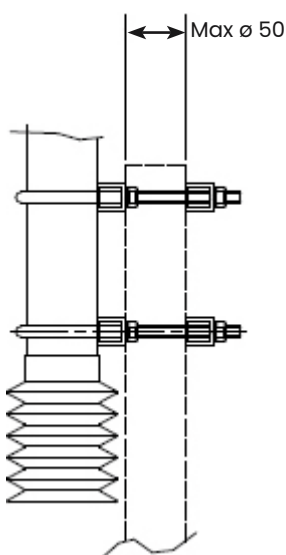
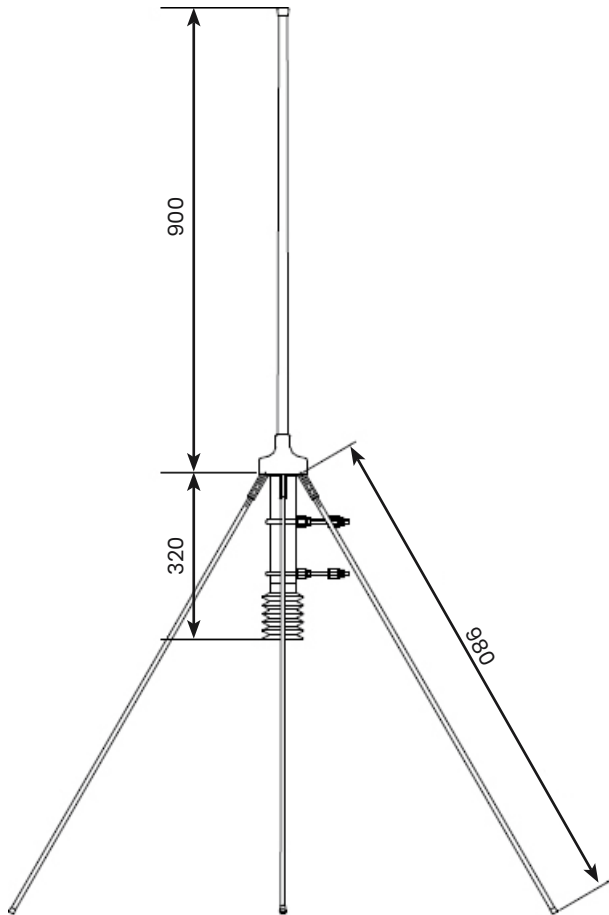


AV25

VHF elevated whip, monopole/groundplane, 0.9 m, 68–85 MHz

Tactical Antennas: Tactical and Base Station



Application

The AV25 is a robust and lightweight broadband ground plane antenna for the 68 to 85 MHz frequency range.

The AV25 is normally used in permanent installations, but as the radials are easily removed, the antenna is also well adapted to portable use. The AV25 can also be used on ships.

Electrical Specifications

Frequency Range	68 - 85 MHz
VSWR	$\leq 2:1$
Nominal Impedance	50 Ω
Power Rating	100 W CW
Gain	2 dBi
Radiation Pattern	Omnidirectional in H-plane
Polarisation	Horizontal
Connector	N female (or custom specified)

The antenna is DC short circuited to prevent static noise and to protect from the influence of lightning.

Mechanical Specifications

Design	Ground plane antenna with 4 radials.
Weight	4 kg
Wind Rating	55 m/s = 201 km/h
Finish	Polyurethane lacquer, olive drab, UV specified
Temperature Range	- 55°C to + 71°C
Mounting	On \varnothing 35 to \varnothing 50 mm tube

Also available with different mounting configurations.

September 2018

All specifications are subject to change without notice

The information contained herein is for reference only and does not constitute a warranty of performance

Partnered Supplier



sales@eylex.com.au

www.eylex.com.au