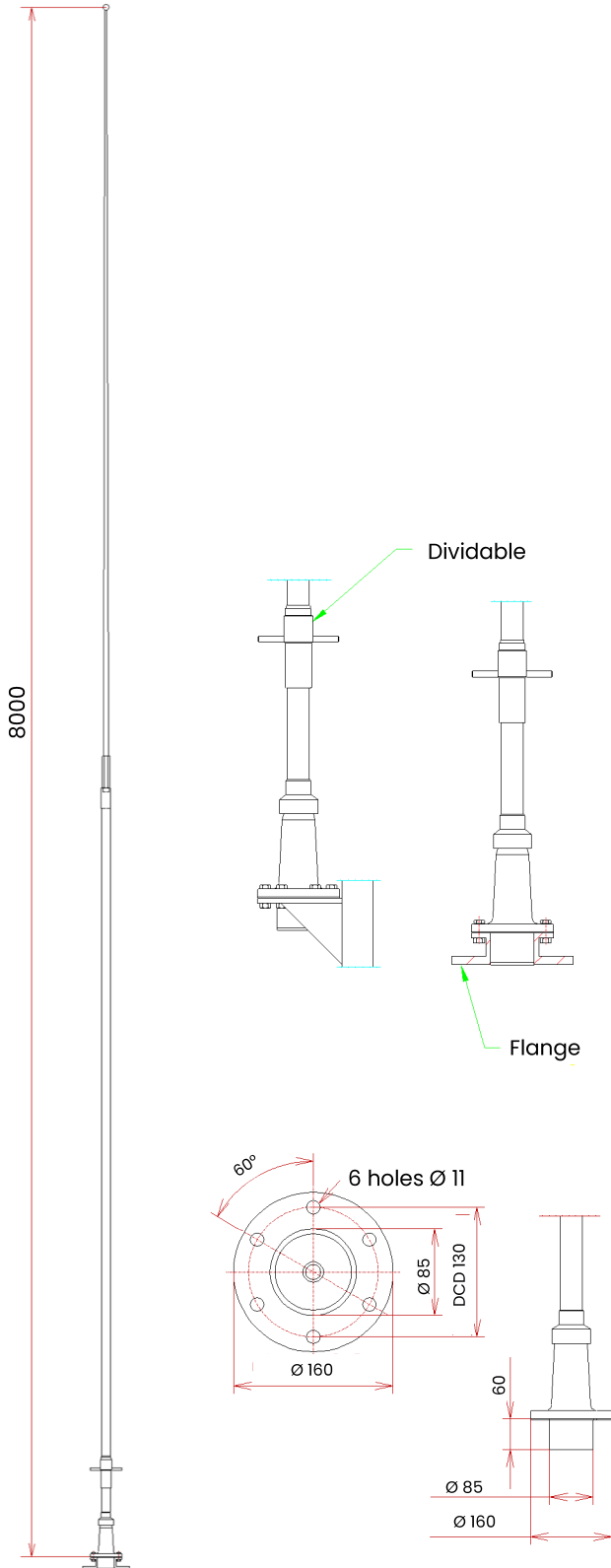


## AT82D/D

HF two-piece sectional whip, monopole, 8 m, 1.6–30 MHz

**Tactical Antennas: Tactical and Base Station**



### Application

AT82D/D is a high quality fibreglass transmitting antenna mainly for maritime use in the MF and HF bands. The antenna is equivalent to the AT82D except that it is divided above the base. The main part of the antenna can then be removed without the use of tools. When the whip is removed a long wire antenna can be connected at the remaining part of the base.

### Electrical Specifications

<b>Frequency Range</b>	1.6–30 MHz
<b>Power Rating</b>	1.5 kW PEP
<b>Impedance</b>	See diagram on reverse side
<b>Pattern</b>	Omnidirectional
<b>Polarisation</b>	Vertical
<b>Electrical Length</b>	8 m

### Mechanical Specifications

<b>Design</b>	Self-supporting fibreglass rod with bronze and stainless steel armatures
<b>Height</b>	8 m
<b>Weight</b>	11 kg
<b>Sections</b>	Base section: ATB42D/D Top section: APB41
<b>Wind Rating</b>	55 m/s = 201 km/h
<b>Moment of Flexure</b>	93.7 kpm at 55 m/s
<b>Deflection due to Wind Load</b>	4.6 m at tip ball at 55 m/s wind load
<b>Finish</b>	Polyurethane lacquer, grey
<b>Temperature Range</b>	- 55°C to + 71°C

### Mounting

The AT82D/D is well suited for mounting on top of the radio cabin. If the feeding insulator is not long enough, extensions are available.

The flange holes are matched to M10 bolts.

## Impedance at MF and HF

Frequency in MHz, antenna mounted on a 2m steel pipe over flat steel roof. Feed line 2m.

Frequency (MHz)	Transmitting Antenna 8 m
1.6	4-j1.060
2.0	5-j800
3.0	9-j470
4.0	11-j290
5.0	20-j145
6.0	28-j38
7.0	55+j55
8.0	60+j155
10.0	200+j400
12.0	1000+j300
16.0	500-j500
18.0	250-j450
22.0	70-j80
25.0	240-j200
30.0	400-j300

September 2018

All specifications are subject to change without notice  
The information contained herein is for reference only and does not constitute a warranty of performance

Partnered Supplier



[sales@eylex.com.au](mailto:sales@eylex.com.au)  
[www.eylex.com.au](http://www.eylex.com.au)

