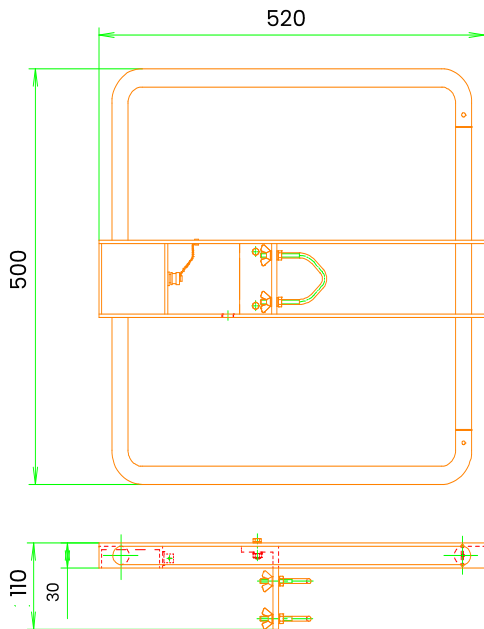


AR88108

VHF receive antenna, 0.52 m, 87.5–108 MHz

Tactical Antennas: Tactical and Base Station



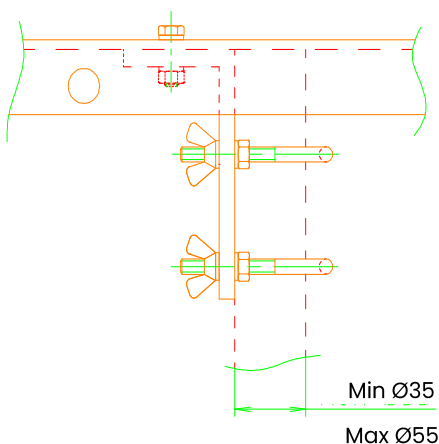
Application

The AR88108 is a robust and lightweight, omnidirectional, horizontally polarised receiving antenna for the FM broadcast band. Its low VSWR and good pattern gives it superior performance compared to other antennas for this application. AR88108 is used both on ships, vehicles and in portable applications with a mast. One use is the reception of differential GPS correction signals in those countries where these are sent via the FM broadcast network.

Electrical Specifications

Frequency Range	87.5–108 MHz
VSWR	< 3:1
Nominal Impedance	50 Ω
Power Rating	Receiving
Gain	– 4–0 dBi
Radiation Pattern	Omnidirectional within ± 3 dB
Polarisation	Horizontal
Connector	BNC, or custom specified

The antenna can also be delivered without high voltage protection, this is for normal for civilian use. It is also available in a collapsible version, where the elements easily can be removed.



Mechanical Specifications

Design	U shaped dipole, made from aluminium and fibreglass reinforced polyester.
Size	520 x 500 x 30 (110) mm
Weight	1.9 kg
Wind Rating	55 m/s = 201 km/h
Finish	Polyurethane lacquer, olive drab, UV specified
Temperature Range	– 55°C to + 55°C
Mounting	On ø35 to ø55 mm tube

Also available with different mounting configurations.

September 2018

All specifications are subject to change without notice
The information contained herein is for reference only and does not constitute a warranty of performance

Partnered Supplier



sales@eylex.com.au
www.eylex.com.au