

APX/GPS

GPS manpack antennas, in-line, L1 42 mm, 1575.42 ± 10 MHz

Tactical Antennas: Handheld and Manpack



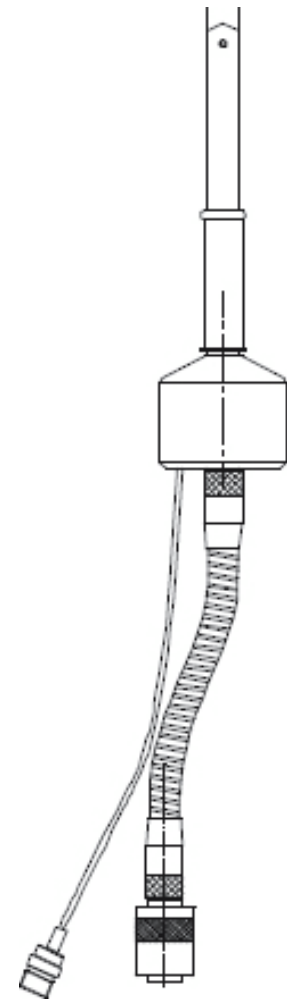
Application

The APX/GPS is a Mil-Spec GPS active receiving antenna. Instead of using separate GPS and VHF communication antennas, the APX/GPS is inserted between spring/gooseneck and antenna whip on standard Comrod manpack antennas. The GPS antenna will not be affected by the use of full transmitting power on VHF.

A filter on the GPS coaxial cable prevents the VHF signal from being conducted to ground through the GPS cable.

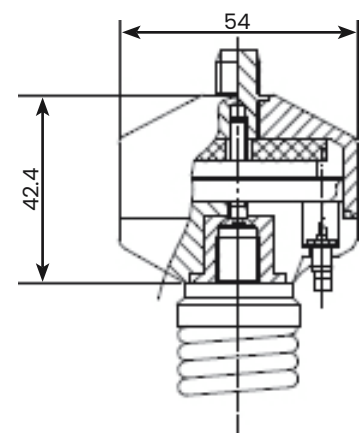
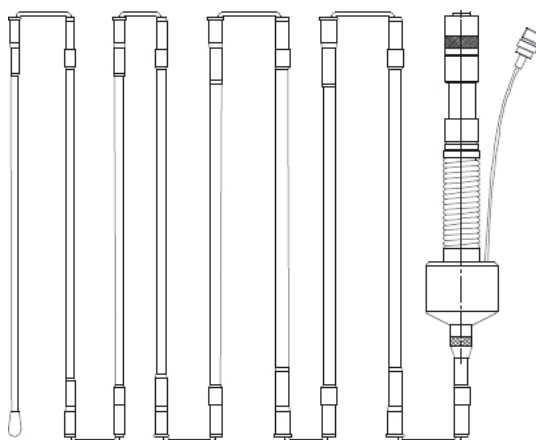
Specifications

Compatible With	APX10 and APX27 antennas
GPS Frequency Range	L1, 1575.42 ± 10 MHz
GPS Preamp Gain	26.5 dB
GPS Noise Figure	2.5 dB
GPS Supply Voltage	5.0 ± 0.5 V through coaxial cable
GPS Supply Current	< 40 mA
Connector GPS	SMB between GPS cable and GPS element SMA male towards GPS receiver Others on request
Temperature Range	- 55°C to + 85°C
Mechanical Design	Puck made from POM plastic
Puck Dimensions	Height 42 mm + M10 stud 10mm Diameter 54 mm
Weight	Antenna Puck 125 g Cable Assembly 65 g
Coaxial Cable	EF316D, robust version of RG316



Mounting

M10 male/female threads that fit between spring/gooseneck and antenna whip. Male towards antenna whip.



September 2018

All specifications are subject to change without notice

The information contained herein is for reference only and does not constitute a warranty of performance

Partnered Supplier



sales@eylex.com.au

www.eylex.com.au