

AMX85

8.5 m manportable sectional mast kit, including cables and brackets,
1.2 m sections

Tactical Masts: Sectional Manportable



NSN: 5985-25-136-9199

Application

AMX85 is a portable, lightweight, dielectric antenna mast system consisting of 7 tubular fibreglass sections. The AMX85 is designed for support of one or two broadband VHF antennas (Not included) (Comrod VHF3088VM). AMX85 could however, also be used for a number of other applications, for instance as support for broadband HF dipole or other antenna systems.

Specifications

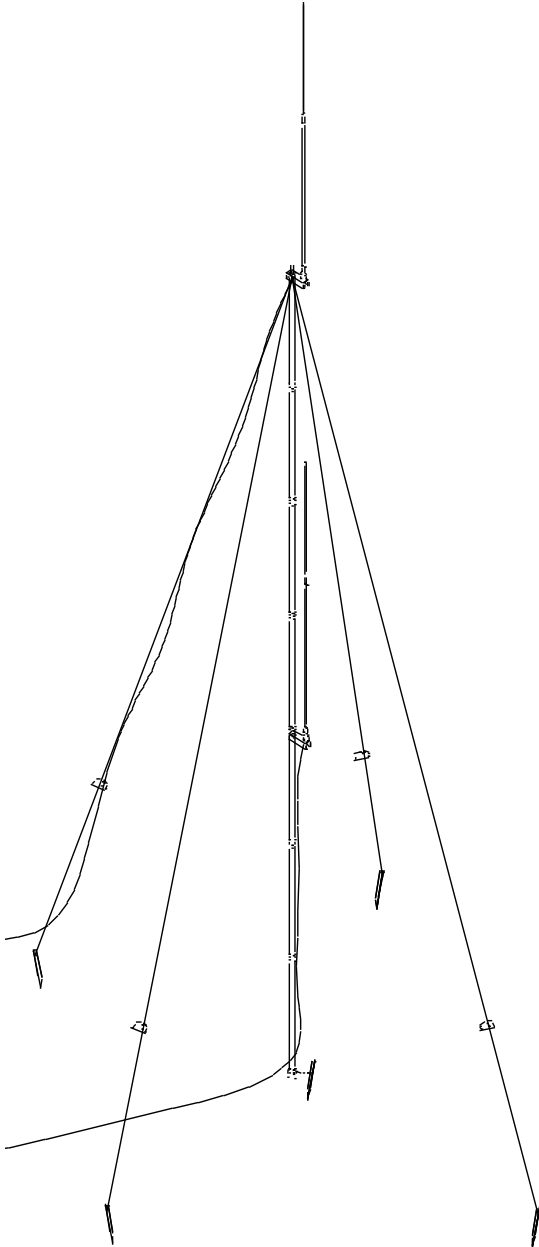
Mast Sections	Fibreglass tube 43/38, 122 cm long with 10 cm aluminium spigot. Olive drab lacquer finish. 7 pcs
Guys	4 pcs, 3 mm braided line on winder with adjustable lock and snap hooks each end
Guy Pegs	6 pcs hot galvanised steel
Base Support	Fibreglass with spikes
Top Load	Max. 4.0 kg
Moment of Flexure	Max 60 kpm
Temperature Range	- 55°C to + 55°C

The mast design and accessories may be adjusted to various climatic and environmental conditions and special applications.

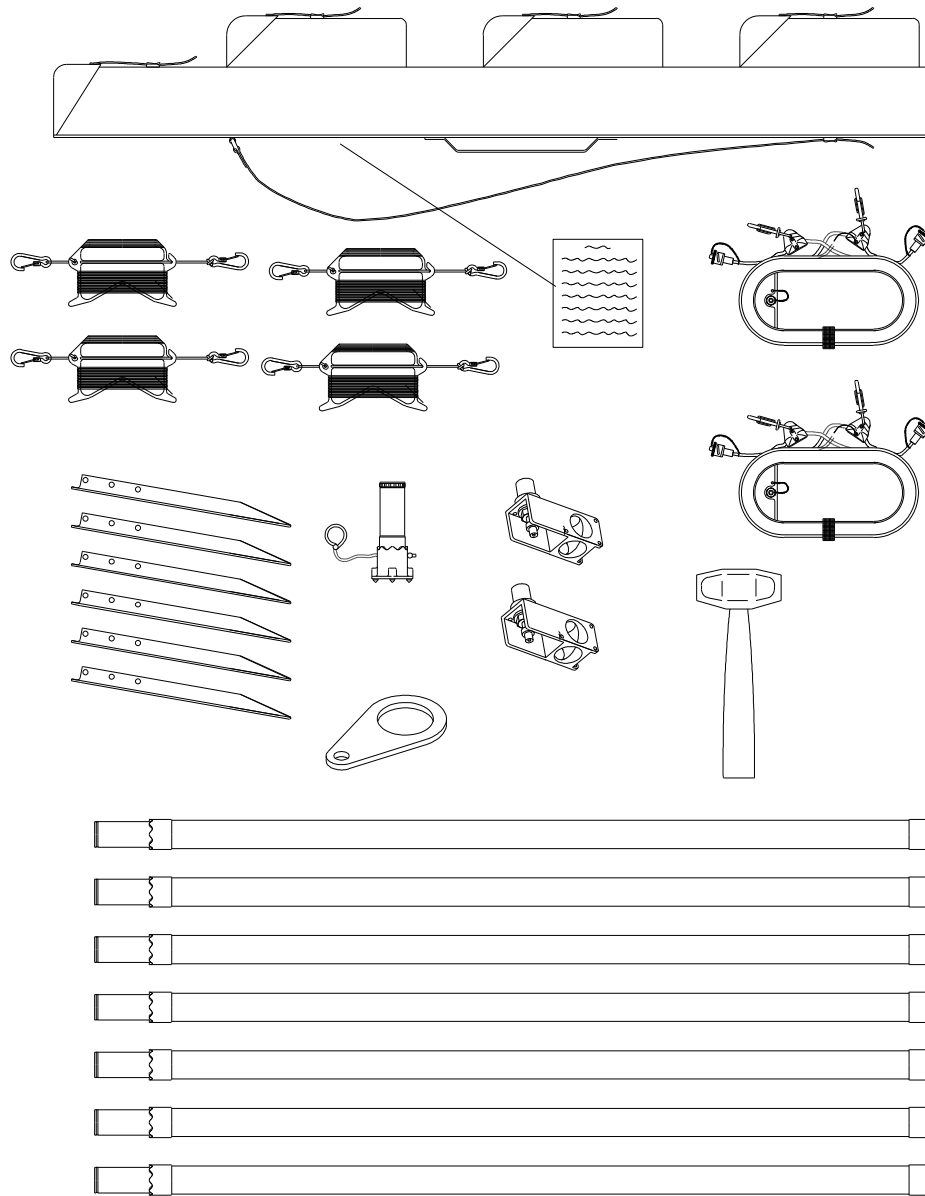
The mast system can be clamped to a vehicle and thus be used without guy support.

Weights and Measures

Length, Erected	8.5 m	
Total, Weight Standard Version	1135 x 22 x 15 cm	16.2kg
Mast Sections	7 sections	1.0 kg
Guy Rope with Winder	4 pcs.	0.2 kg
Guy Pegs	6 pcs.	0.3 kg
Base Support	1 pc.	0.2 kg
Hammer	1 pc.	1.2 kg
Carrying Bag	1 pc.	2.2 kg
Cable on Winder	2 pcs. 15 m	1.0 kg
Bracket	2 pcs.	0.5 kg



Parts



The sections may be used at random and the mast could be used even with one section missing. The design is very robust and resistant to icy and muddy conditions.

Fibreglass reinforced plastics are electrically insulating. This reduces the hazard of electrical shocks when erecting the antenna mast in an area with overhead power lines.

The mast has no influence on radiation characteristics of the antennas.

September 2018

All specifications are subject to change without notice
The information contained herein is for reference only and does not constitute a warranty of performance

Partnered Supplier



sales@eylex.com.au
www.eylex.com.au

