

AMX5F

8 m manportable sectional mast kit, 2 m sections

Tactical Masts: Sectional Manportable

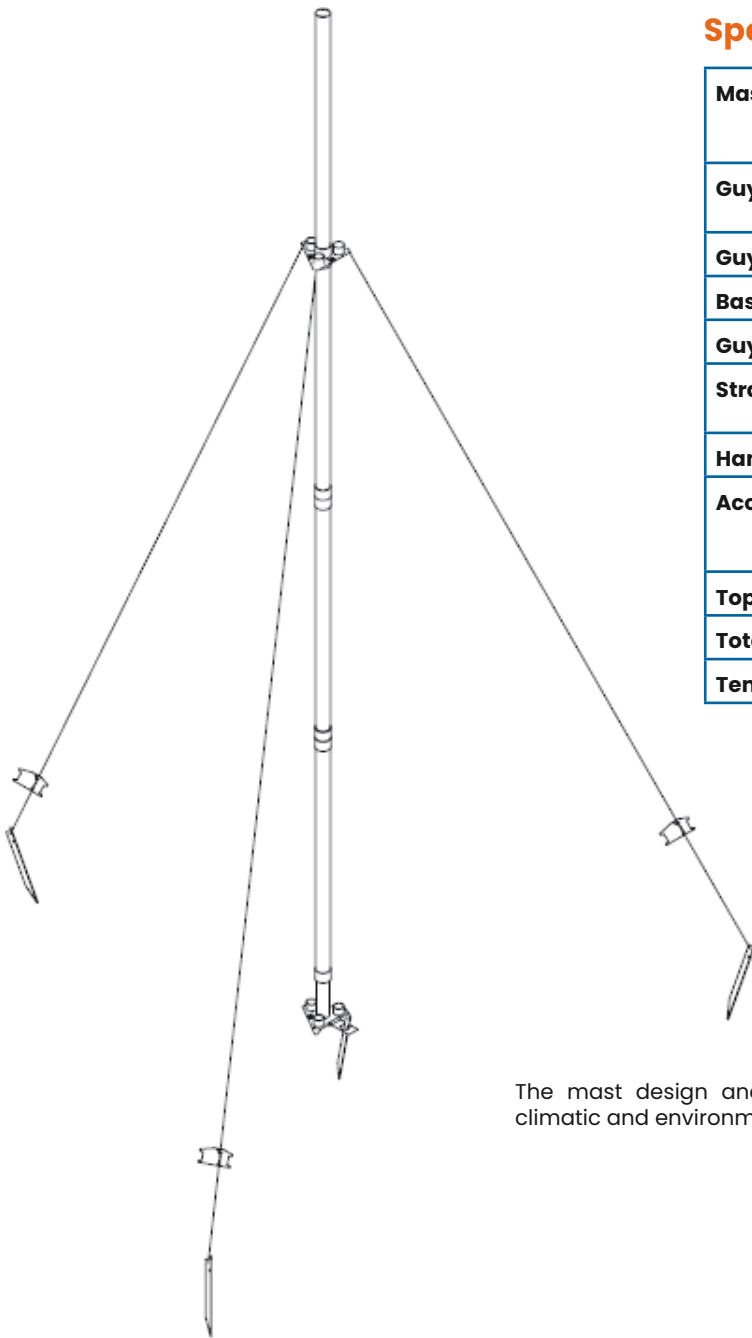


NSN: 5985-25-147-0410

The AMX5F is a portable reinforced, lightweight dielectric antenna mast system consisting of four tubular fibreglass sections. It can be used to support horizontal and vertical wire antennas, beam antennas, omnidirectional antennas and other antenna structures.

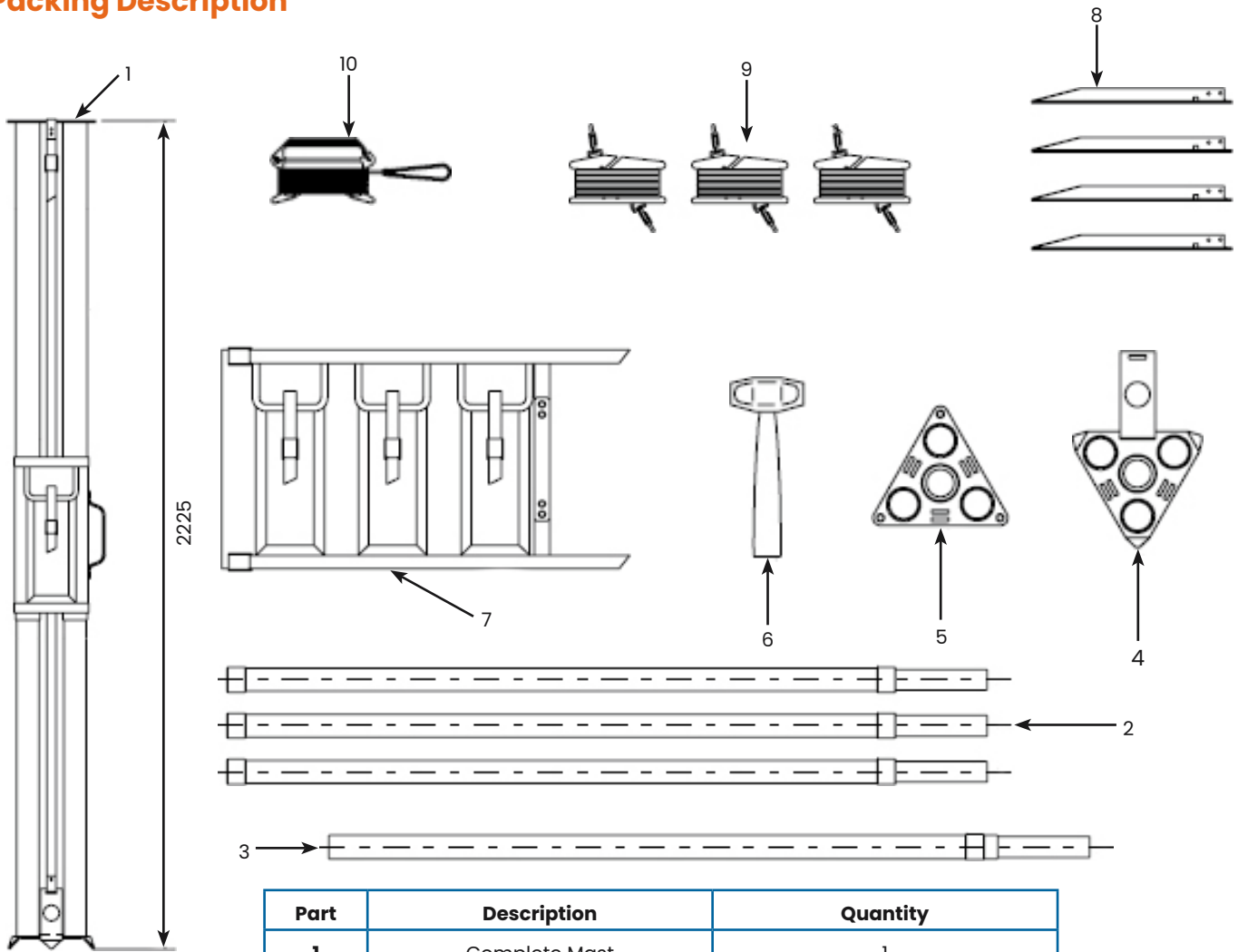
Specifications

| | |
|--------------------------|---|
| Mast Sections | Fibreglass tube 50/45, 2 m long with 20 cm jointing spigot. Olive drab lacquer finish, 4 pieces. |
| Guy | 4 pieces, 3 mm braided line on winder with adjustable lock and snap hooks each end. |
| Guy Pegs | 4 pieces stainless steel. |
| Base Plate | Steel with hinge for easy erection, 1 piece. |
| Guy Plate | Steel for 3 guys, 1 piece. |
| Straps | Rubber straps for clamping antenna feeder to the mast, 3 pieces. |
| Hammer | 1 kg short shaft hammer. |
| Accessories Bag | Olive drab PVC coated nylon fabric with 3 pockets for all accessories. Straps around the 4 mast sections. |
| Top Load | Maximum 16 kg |
| Total Weight | 13 kg |
| Temperature Range | - 55°C to + 55°C |



The mast design and accessories maybe adjusted to various climatic and environmental conditions, and special applications.

Packing Description



| Part | Description | Quantity |
|------|----------------------|----------|
| 1 | Complete Mast | 1 |
| 2 | Mast Sections | 3 |
| 3 | Mast Top Section | 1 |
| 4 | Ground Plate | 1 |
| 5 | Guy Plate | 1 |
| 6 | Hammer | 1 |
| 7 | Carry Bag | 1 |
| 8 | Guy Pegs | 4 |
| 9 | Guy Rope with Winder | 3 |
| 10 | Measuring Line | 1 |



Part 3: Details of Top

September 2018

All specifications are subject to change without notice
The information contained herein is for reference only and does not constitute a warranty of performance

Partnered Supplier



sales@eylex.com.au
www.eylex.com.au

