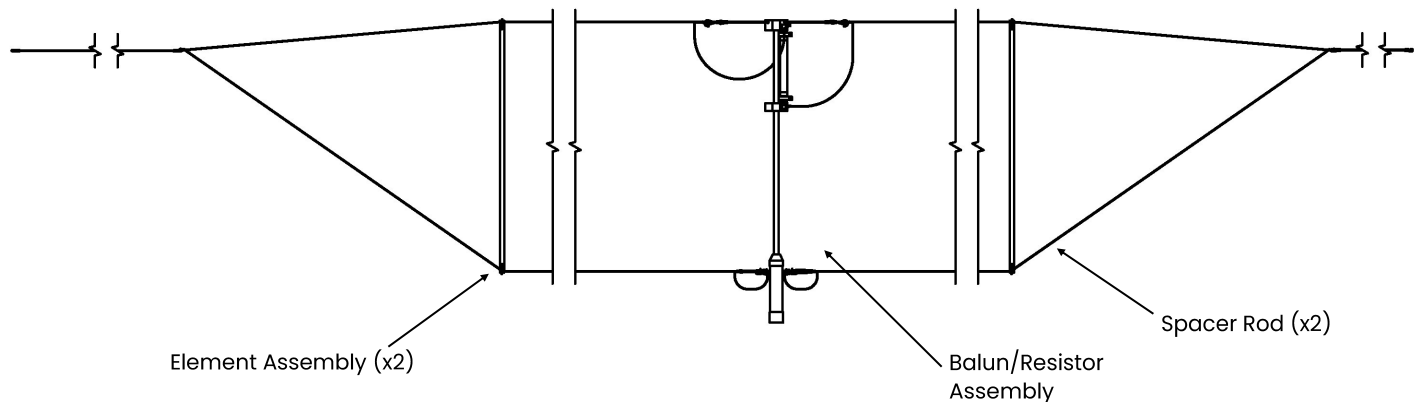


AH54

HF/VHF broadband wire dipole antenna, 30 m, 1.6-48 MHz

Tactical Antennas: Tactical and Base Station



Application

The AH54 is a tactical HF terminated folded dipole designed for use over the frequency range 1.6-30 MHz with a power rating up to 400 W PEP, 150 W CW. It is designed for use with two support masts to raise the folded dipole, which incorporates a balun transformer and load assembly, 7-9 metres above the ground level.

Electrical Specifications

Frequency Range	1.6- 48 MHz
VSWR	< 2.5:1 for 2 - 45 MHz < 3:1 for 1.6 - 48 MHz subject to ground conditions
Power Rating	400 W PEP (150 W CW)
Input Impedance	50 Ω unbalanced
Connector	UHF type on balun transformer

Mechanical Specifications

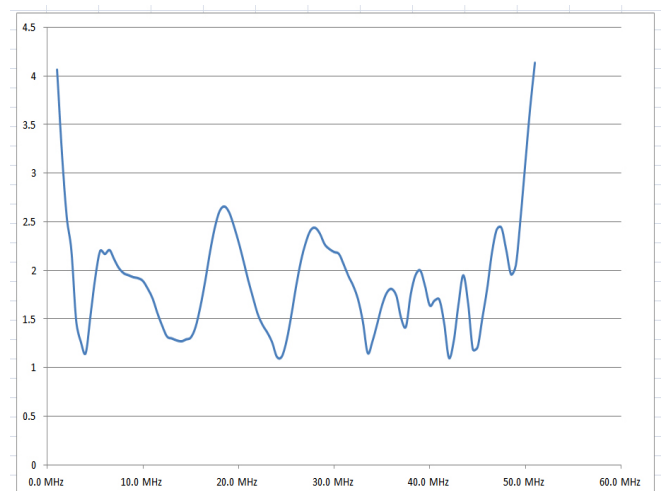
Design	Folded wire dipole incorporating a balun transformer and load assembly
Element Span	30 m (approximately)
Wind Rating	55 m/s = 201 km/h
Temperature Range	- 55°C to +71°C
Installation	Between two support masts raised 7-9 m above the ground (masts not included in kit)
Weight	5.2 kg

Kit List

No	Description	Qty
1	Element Assembly	2
2	Spacer Rod	2
3	Balun / Resistor Assembly	1
4	Coax Cable Assembly 50 m (option)	1
5	Handbook	1



Typical VSWR



September 2018

All specifications are subject to change without notice
The information contained herein is for reference only and does not constitute a warranty of performance

Partnered Supplier



sales@eylex.com.au
www.eylex.com.au