

AH51

HF broadband wire dipole antenna, 2 x 25 m, 1.6–30 MHz

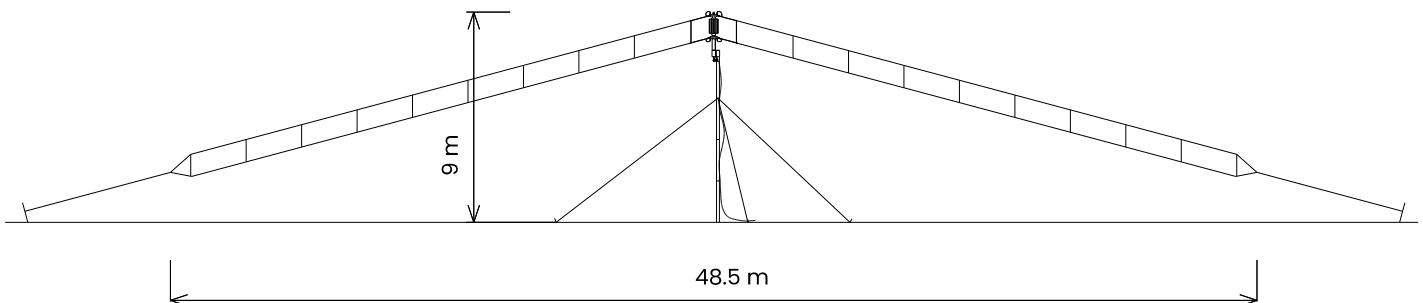
Tactical Antennas: Tactical and Base Station



NSN: 5985-25-135-4545

Features

- 1.6 – 30 MHz
- With load to obtain broad band characteristics
- Permitting fast frequency shifts as it does not require adjustments
- Easy to mount and dismount
- Require only one mast 8 – 12 m high
- Compact package for transportation



Electrical Specifications

Frequency Range	1.6 – 30 MHz
VSWR	Better than 3.0:1 see diagram, overleaf
Nominal Impedance	50 Ω
Power Rating	400 W PEP 200 W CW
Radiation Diagram	Same as a dipole antenna with the same dimensions.
Connector	Coaxial, custom specified

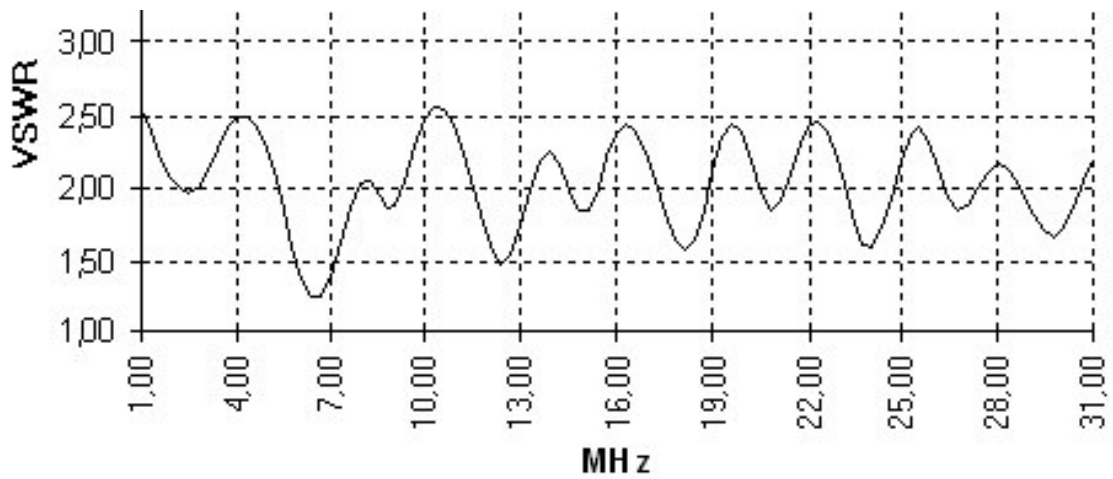
Mechanical Specifications

Design	Centre section with terminals, two dipole arms, a suspension line for each dipole arms and two winders.
Length, Dipole Arms	2 x 25 m
Length, Suspension Line	2 x 25 m
Weight, Total	14 kg
Weight, Centre Section	6 kg

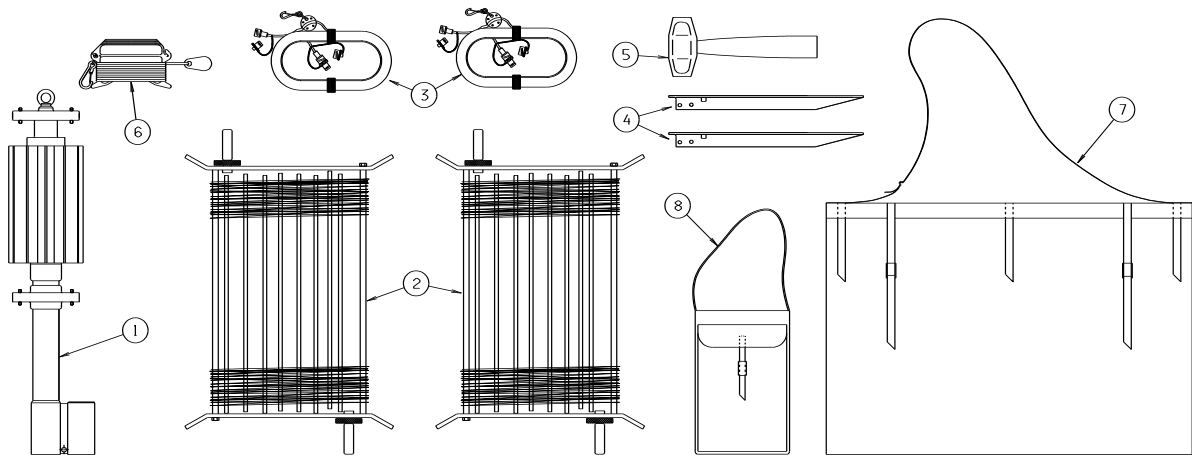
Mounting

The antenna consists of a centre section with terminals, two dipole arms, a suspension line for each dipole arm and two winders. The centre section fits on a 50 mm mast top. It may be mounted as an inverted "V" with one mast, as a straight dipole with two masts or as a slanted dipole with one mast. The antenna can be mounted without any mast by using the winder with a throwing weight.

Typical Standing Wave Ratio



Description of Package



Part	Description	Quantity	Comment
1	Centre section	1	
2	Dipole element	2	
3	Cable and winder	-	Optional
4	Guy pegs	2	
5	Hammer	1	
6	Throwing weight	1	
7	Carrying bag	1	For antenna and accessories
8	Carrying bag	-	For cables, optional

August 2019

All specifications are subject to change without notice
The information contained herein is for reference only and does not constitute a warranty of performance

Partnered Supplier



sales@eylex.com.au
www.eylex.com.au

