

2D/200

Tuff Handset Handsets



The DAC Tuff Handset is moulded in a robust polyurethane material providing excellent durability and resistance to wear even in the most arduous environments.

- Tough material and construction
- Available with single or dual PTT (Push To Talk)
- Industry proven
- Various transducer (Mic and Speaker) options
- Reed relay option to detect on/off hook
- Excellent aesthetic and ergonomic design
- Customer specific connectivity
- Patented design
- Highly resistant to misuse
- Number of cable length options
- Suited to many user applications
- Robust and vandal resistant

The 2D/200 Handset has a proven track record of reliability. In use for over 25 years with many of the original units still operating and providing dependable communications, often in safety critical applications. Used throughout the world within many environments and applications.



DAC Tuff Handset installed on
Class 375 Electrostar



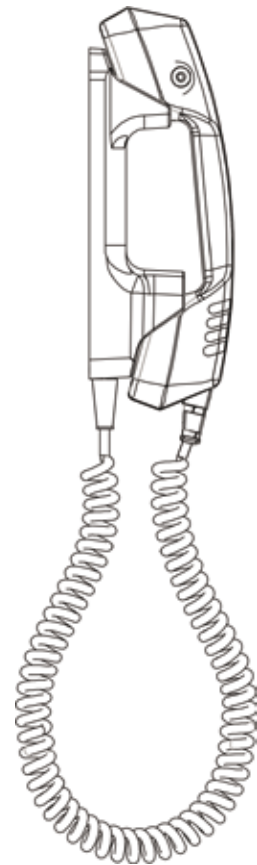
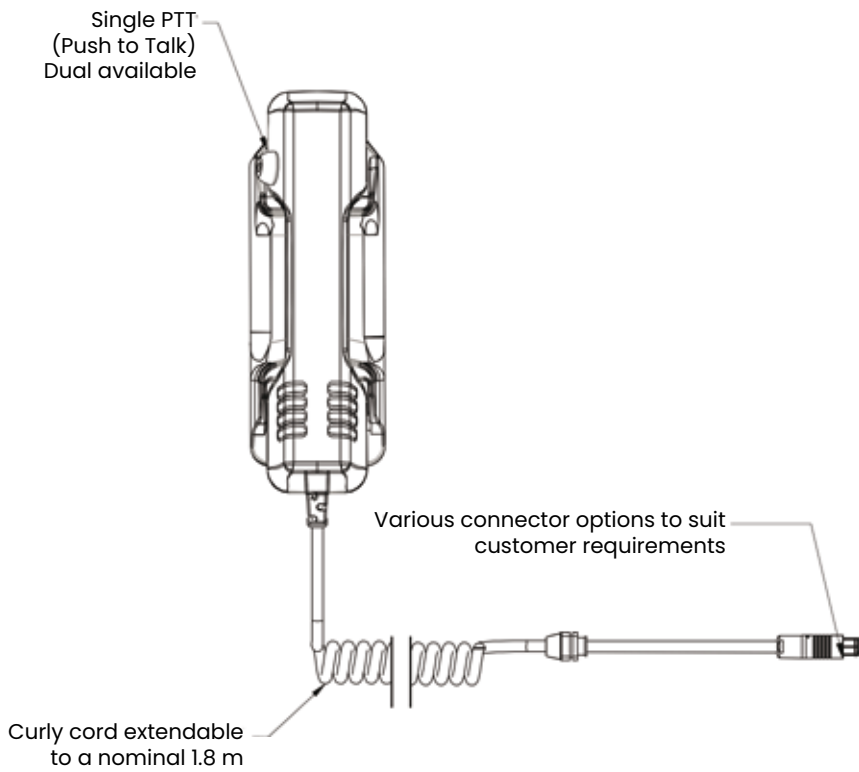
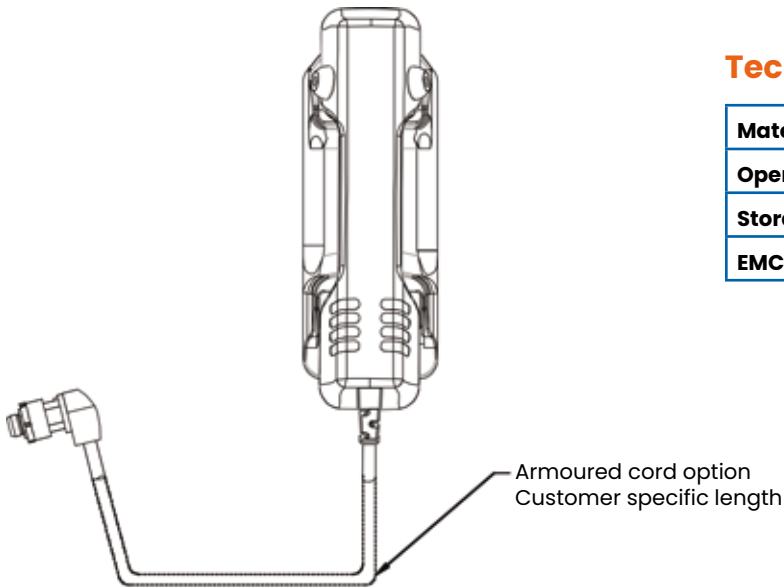
Handset available with
armoured or curly cord



DAC Tuff Handset in-use on Australian
State Rail Tangara train

Technical Specifications

Material	Robust polyurethane
Operating Temperature	- 30°C to + 60°C
Storage Temperature	- 40°C to + 70°C
EMC	Tested to EN50121-3-2:2006



September 2018

All specifications are subject to change without notice
The information contained herein is for reference only and does not constitute a warranty of performance

Partnered Supplier



sales@eylex.com.au
www.eylex.com.au

